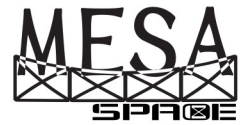
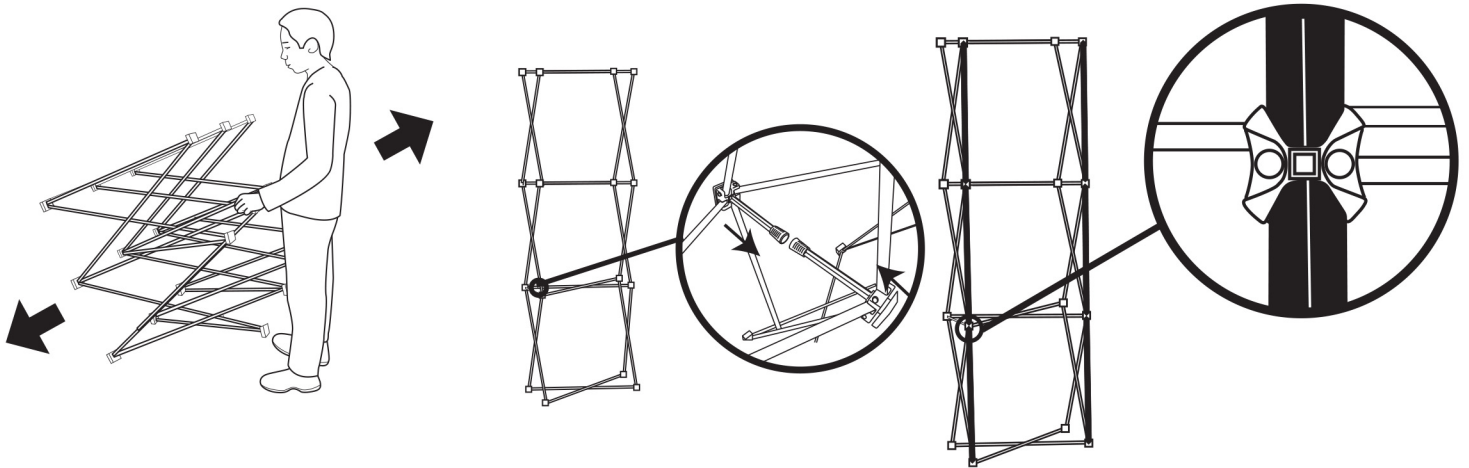


SET UP INSTRUCTION

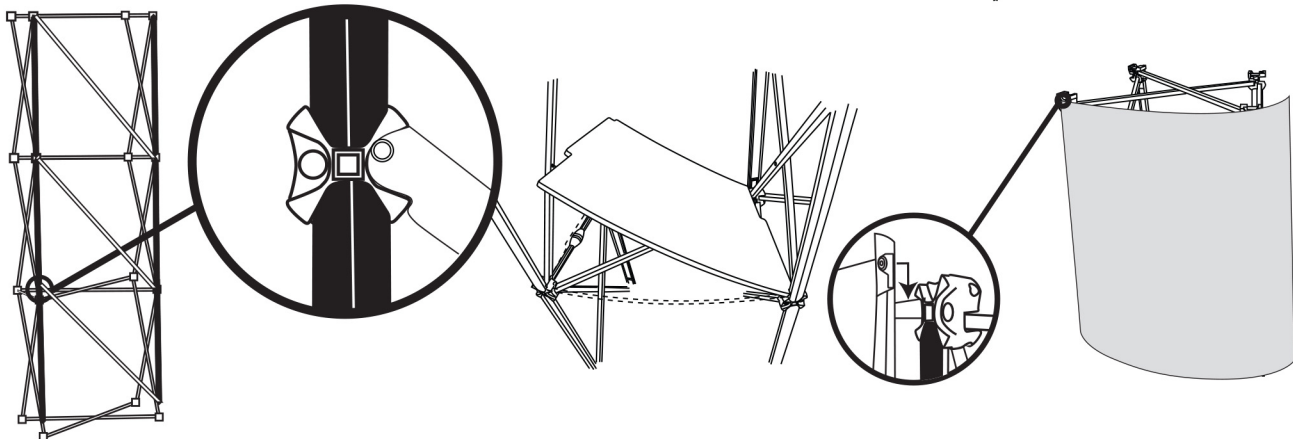


P.2 MESA 1x3 Counter

3. Expand the frame and ensure all magnetic locks are tightly connected together. Then, attach the channel bars to the frame.



4. Place the 3 reinforcement bars diagonally as per image to stabilize the frame. Place the shelves in with an angle. Once all three shelves are in place, you can attach the graphic by connecting the floating magnets on the header board to the hubs. Also, ensure the magnetic tapes is attached to the channel bar smoothly.



5. Place the tabletop on tops of the frame, and ensure the hubs went into the indents underneath the tabletop, so it will sit firmly.

