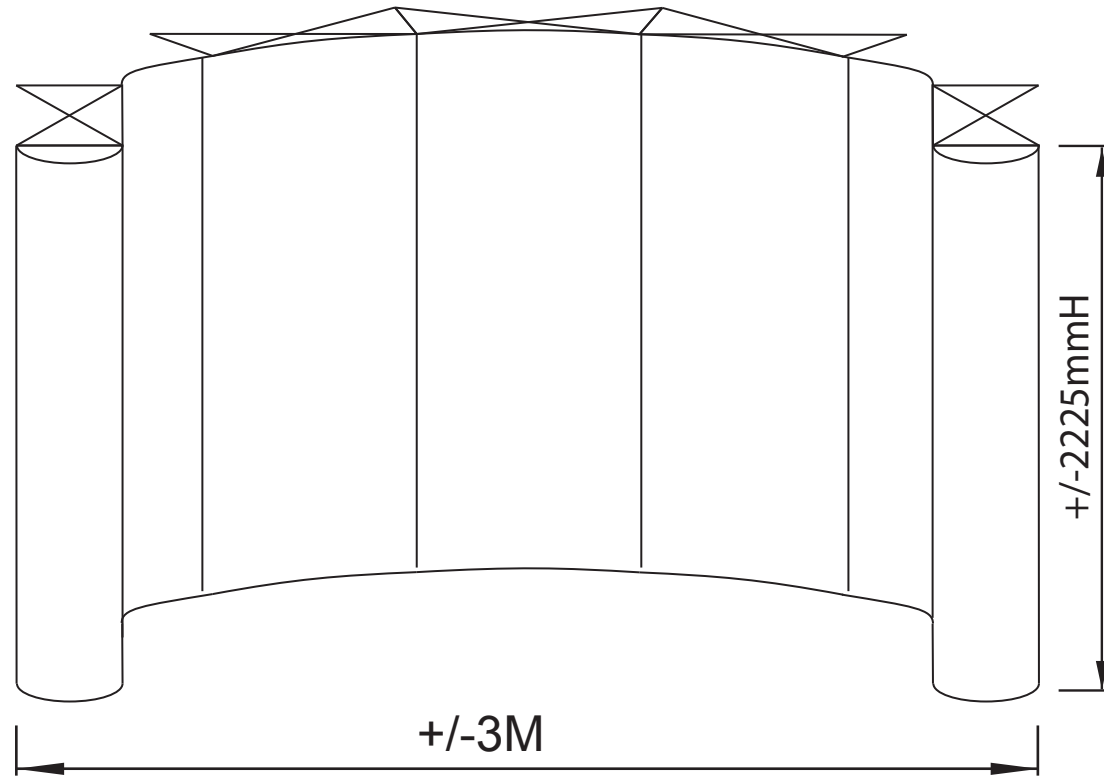
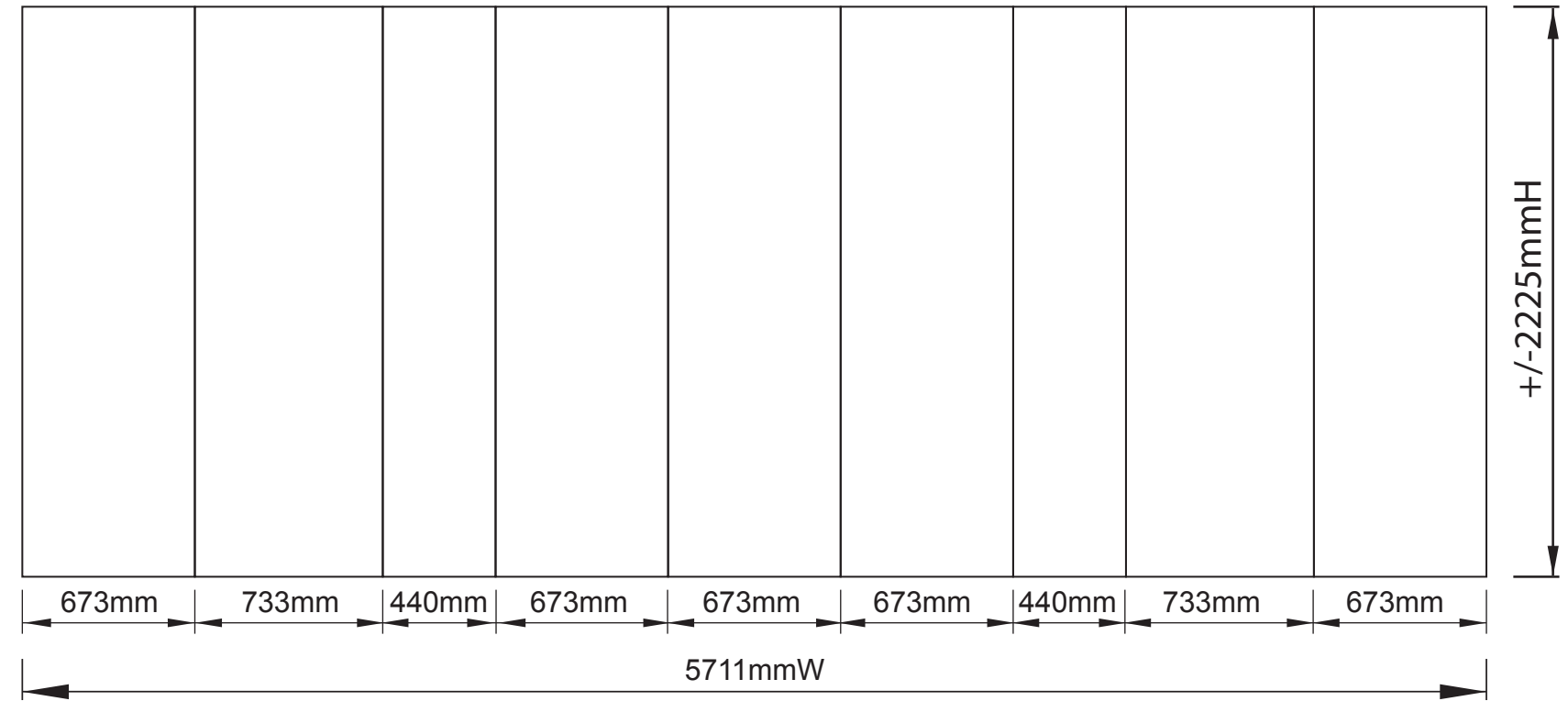


NEO Pop-up Self Build Exhibition Stand 1A

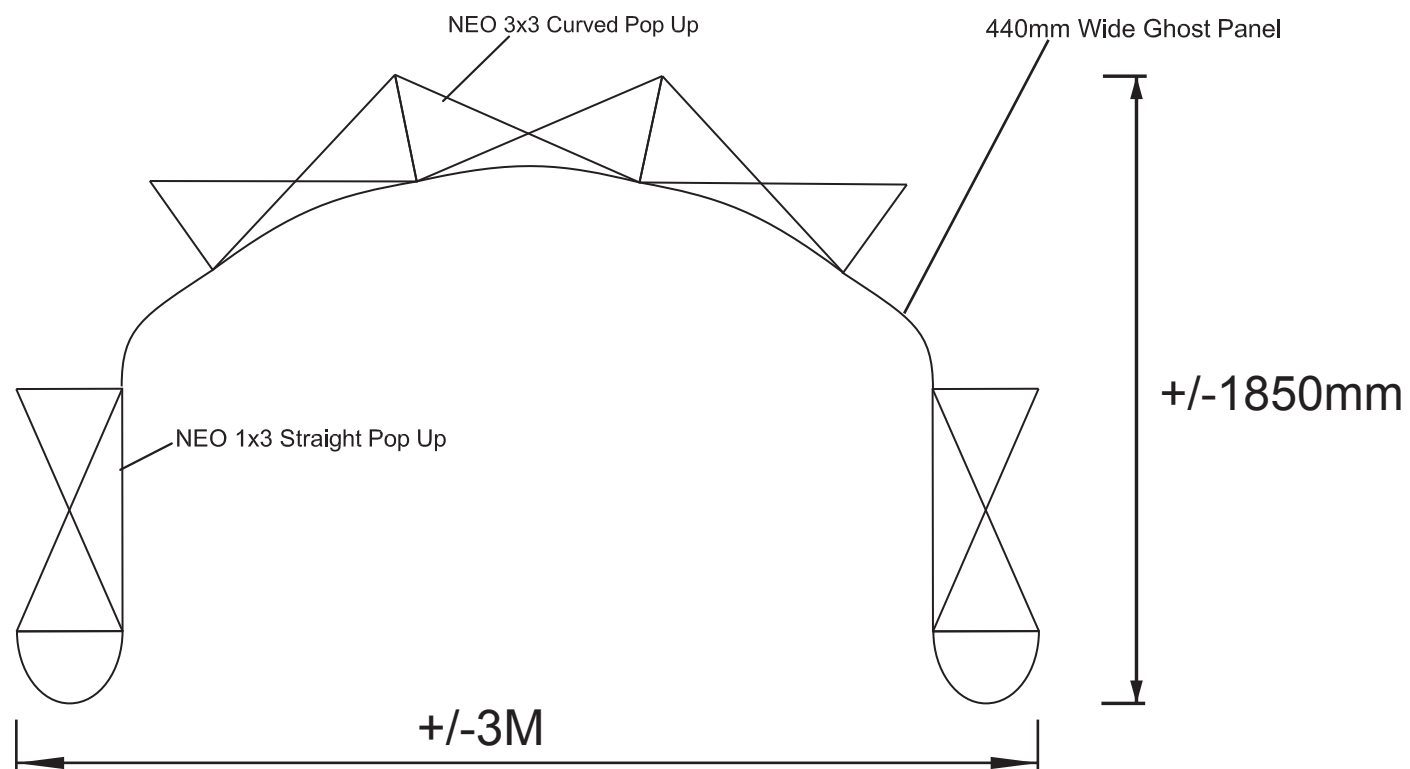
Front View - Stand Size



Panel Size



Top View - Stand Size

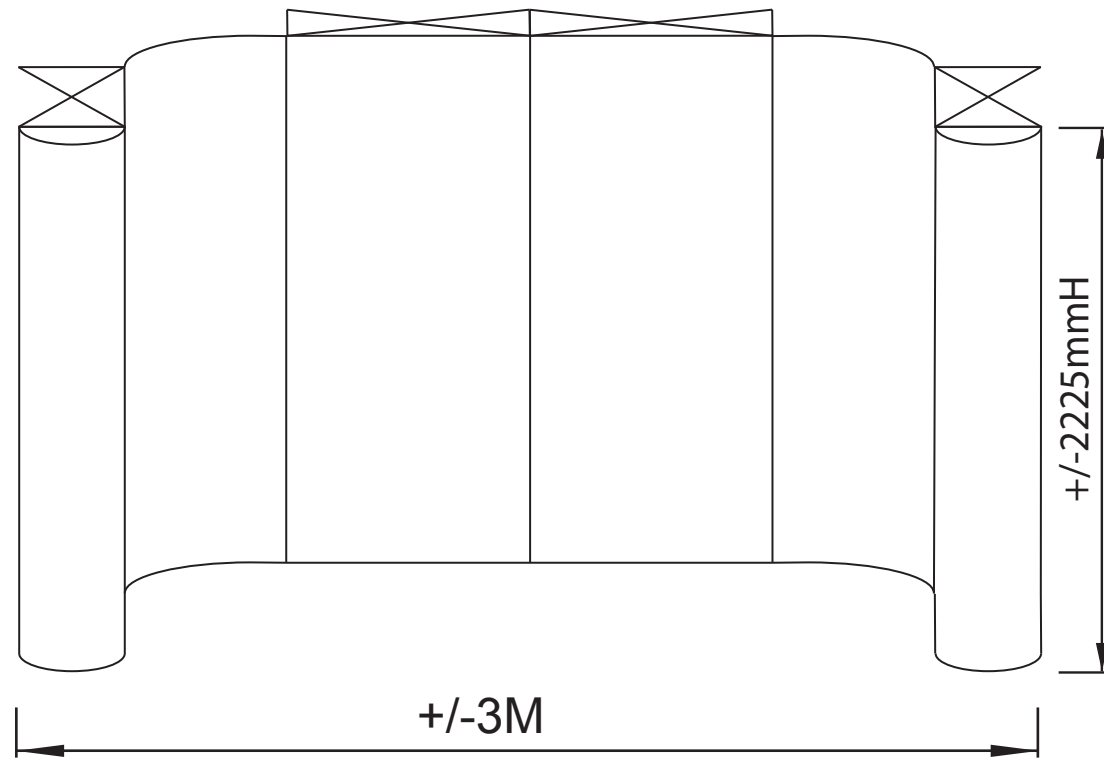


Remark:

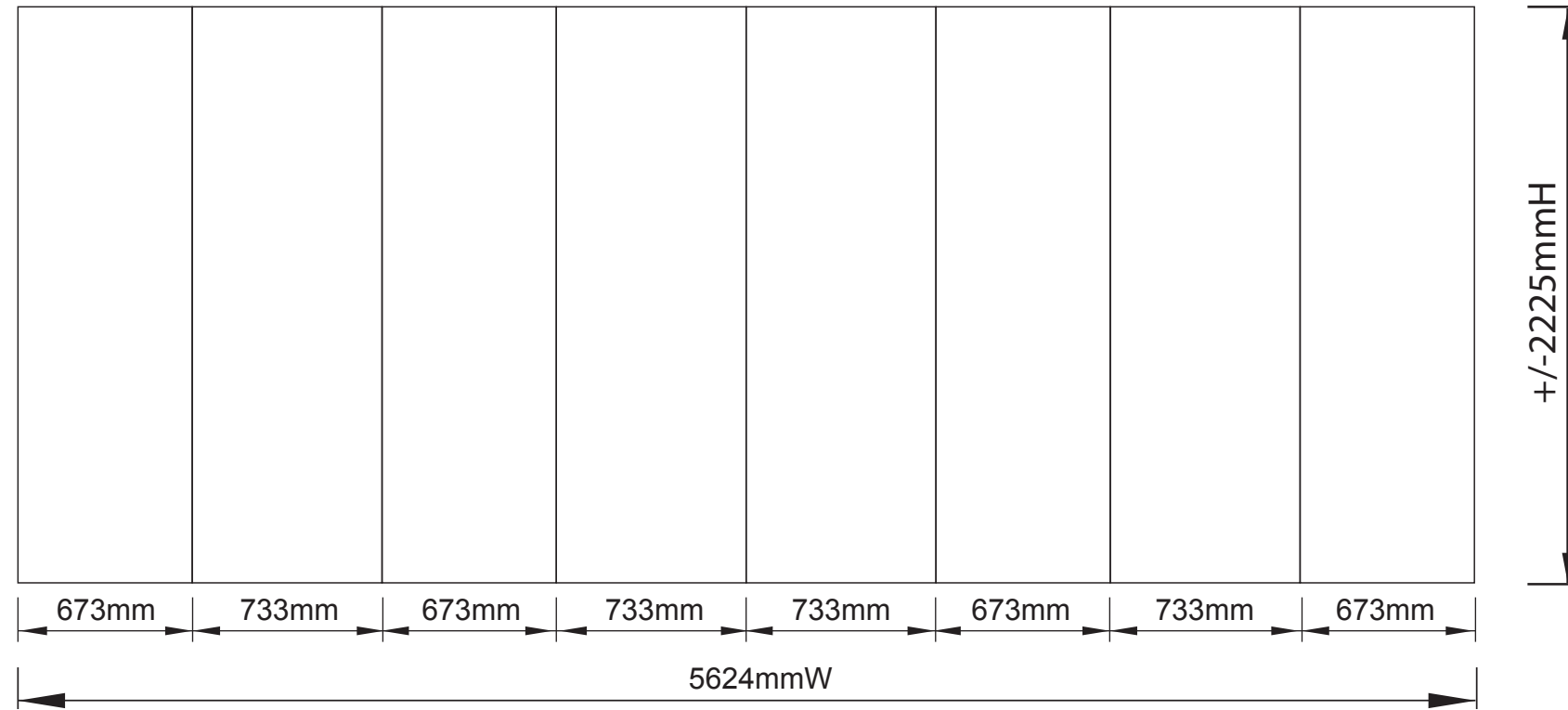
1. Please avoid putting small text on the cutting lines.
2. Please note the outer half of the side panels will turn to the back after set up and would not be visible when standing in the front
3. Please submit the file in the panel size of 5711 mmW x 2225 mmH

NEO Pop-up Self Build Exhibition Stand 1B

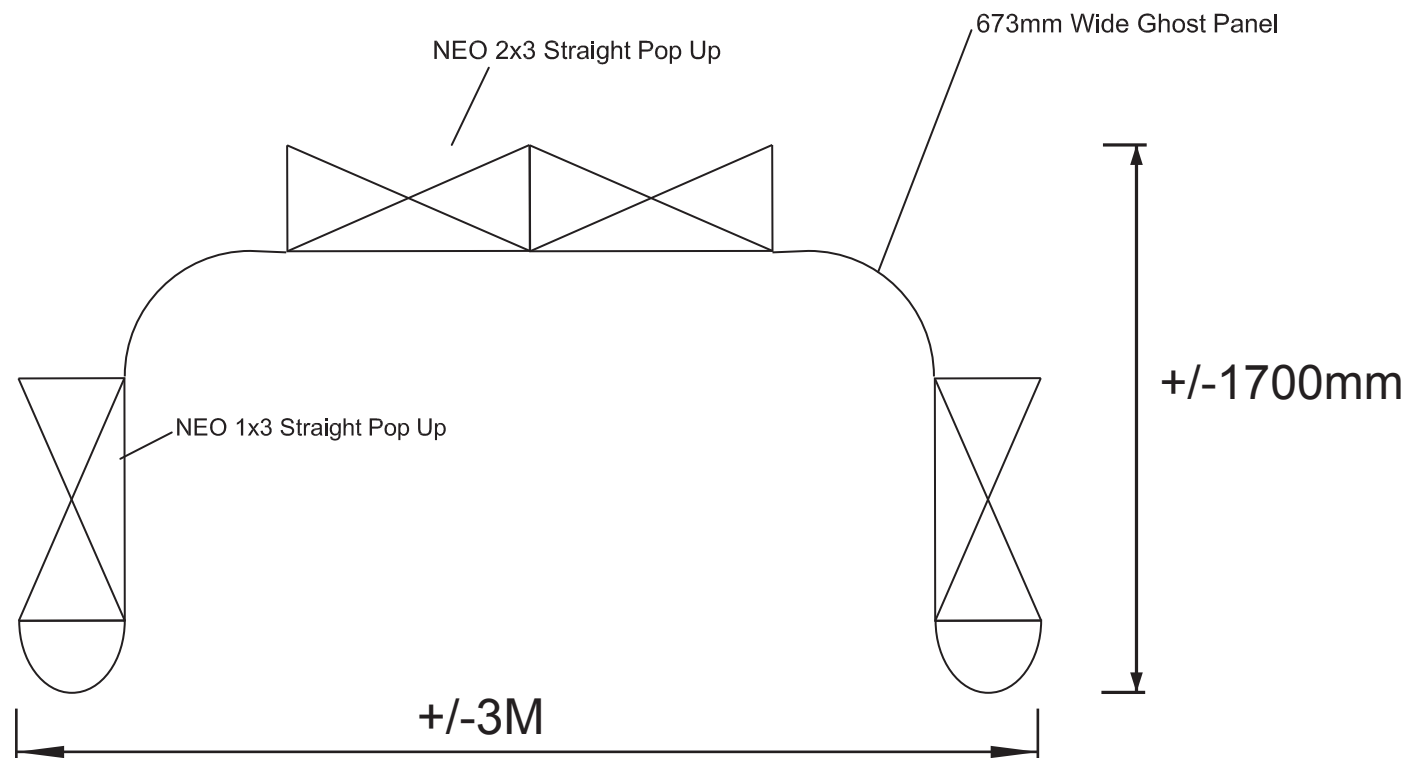
Front View - Stand Size



Panel Size



Top View - Stand Size

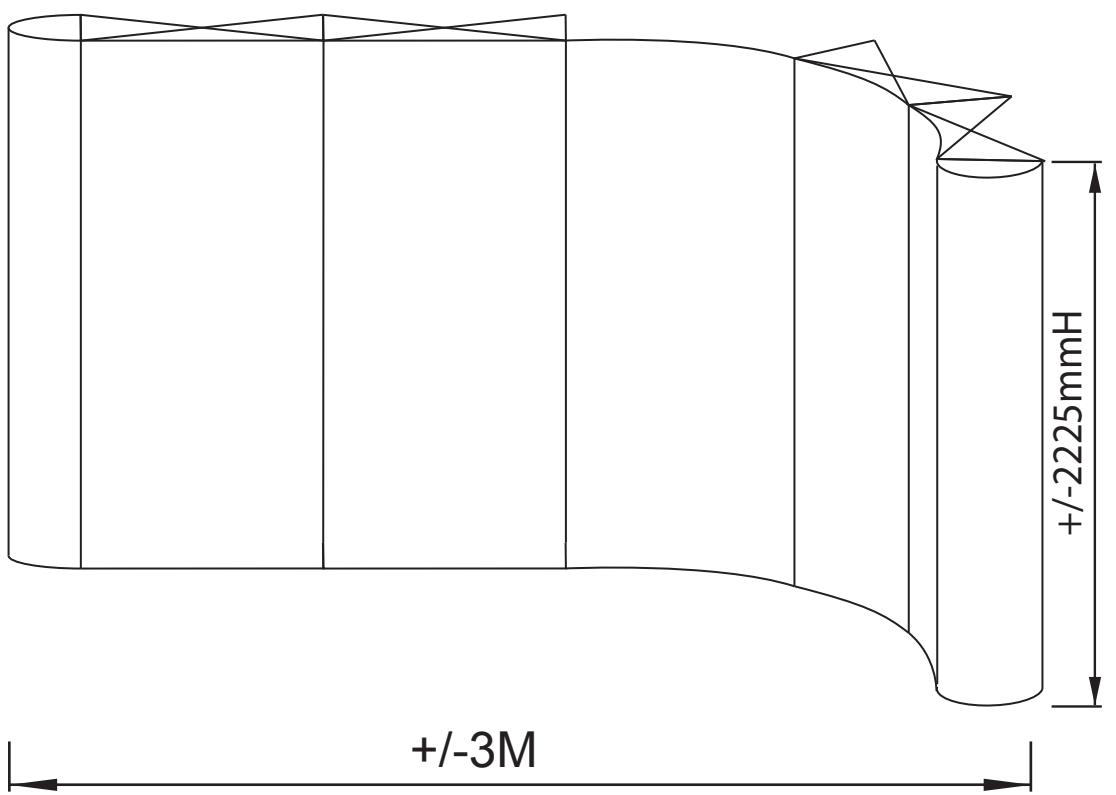


Remark:

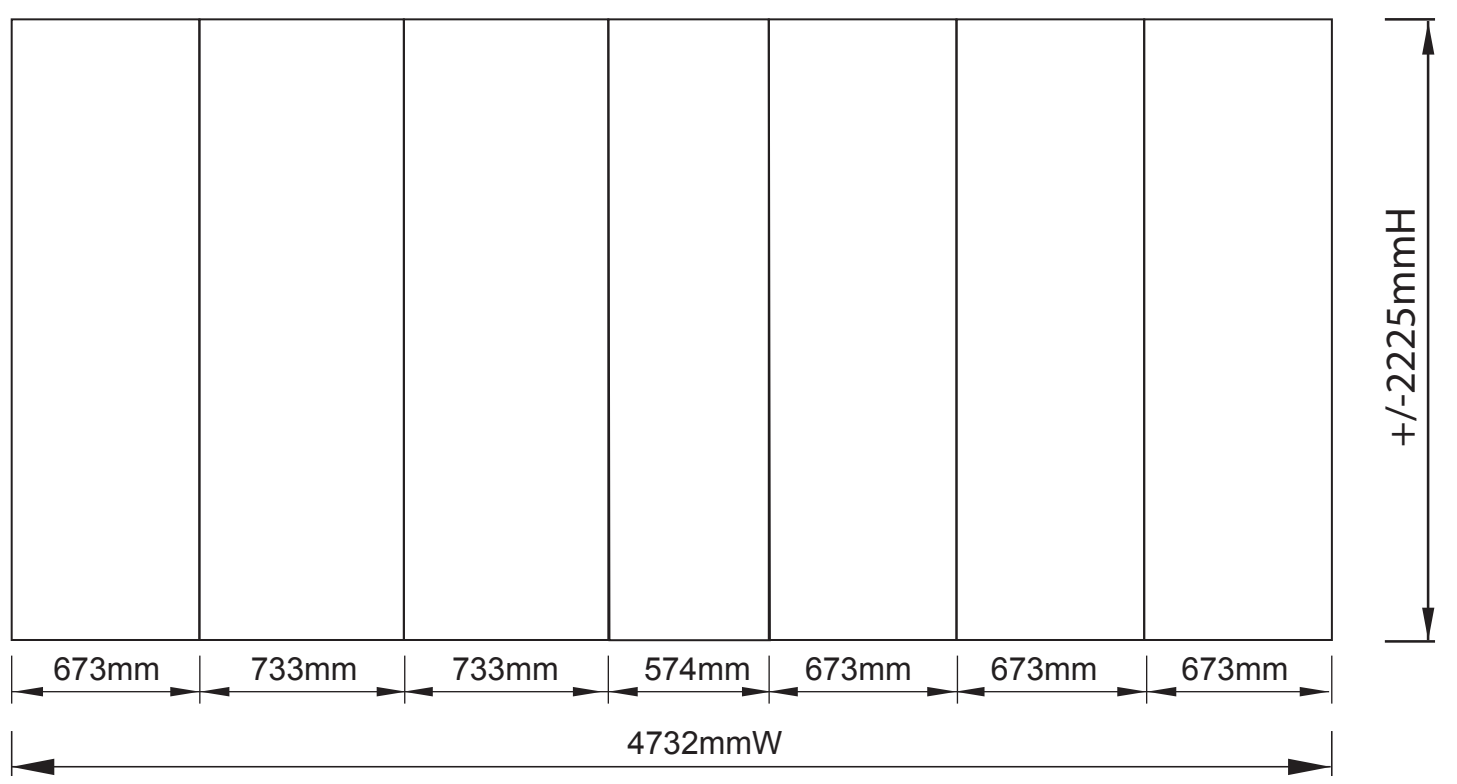
1. Please avoid putting small text on the cutting lines.
2. Please note the outer half of the side panels will turn to the back after set up and would not be visible when standing in the front
3. Please submit the file in the panel size of $5624mmW \times 2225mmH$

NEO Pop-up Self Build Exhibition Stand 1C

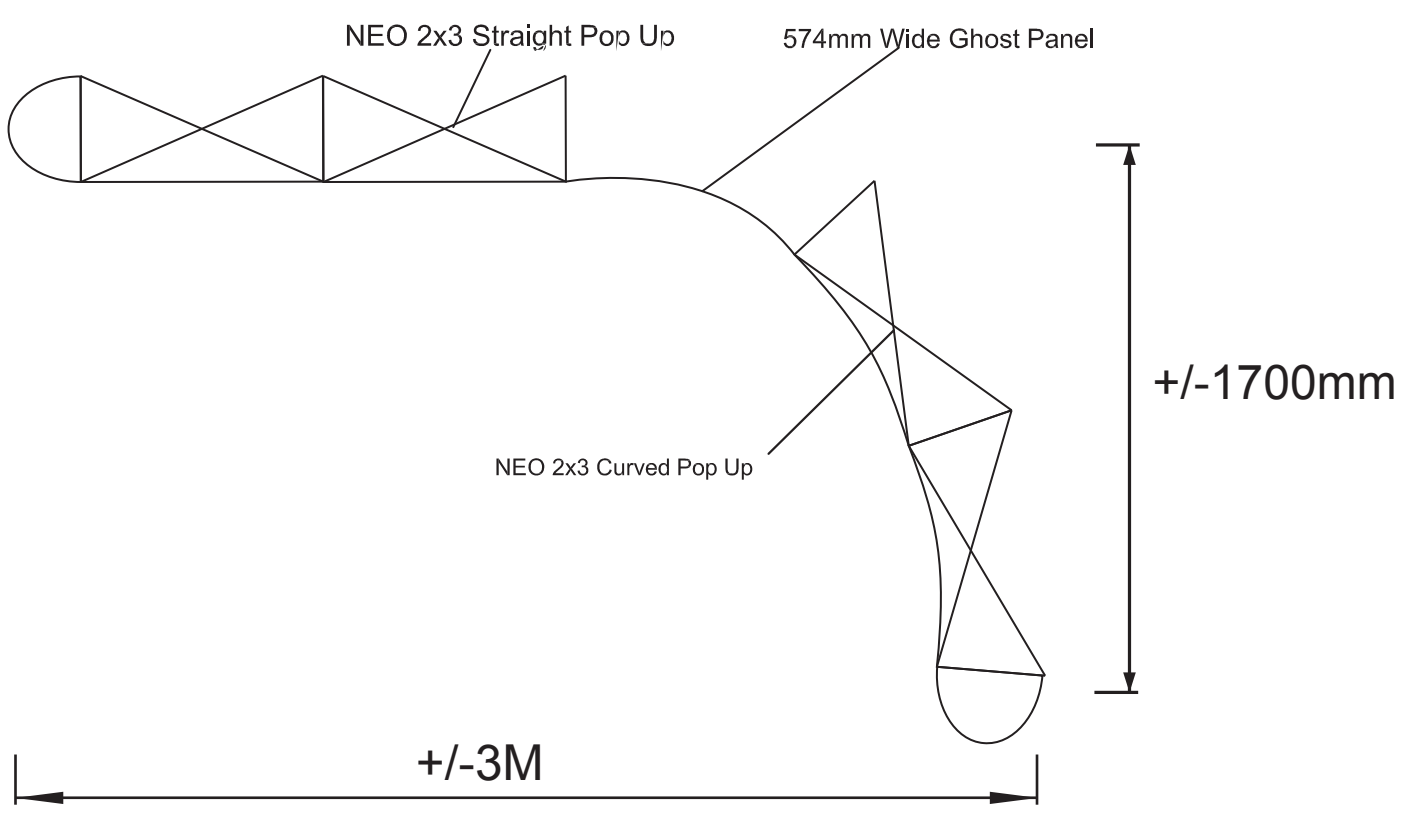
Front View - Stand Size



Panel Size



Top View - Stand Size

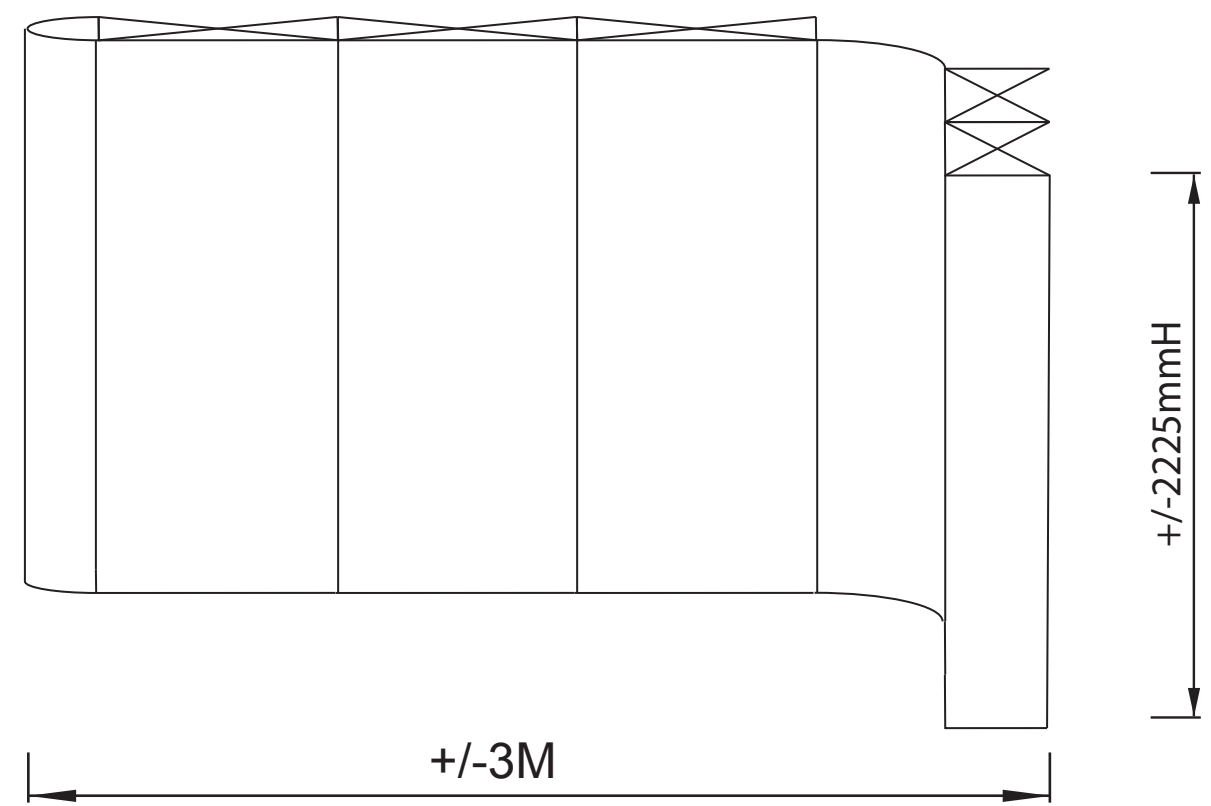


Remark:

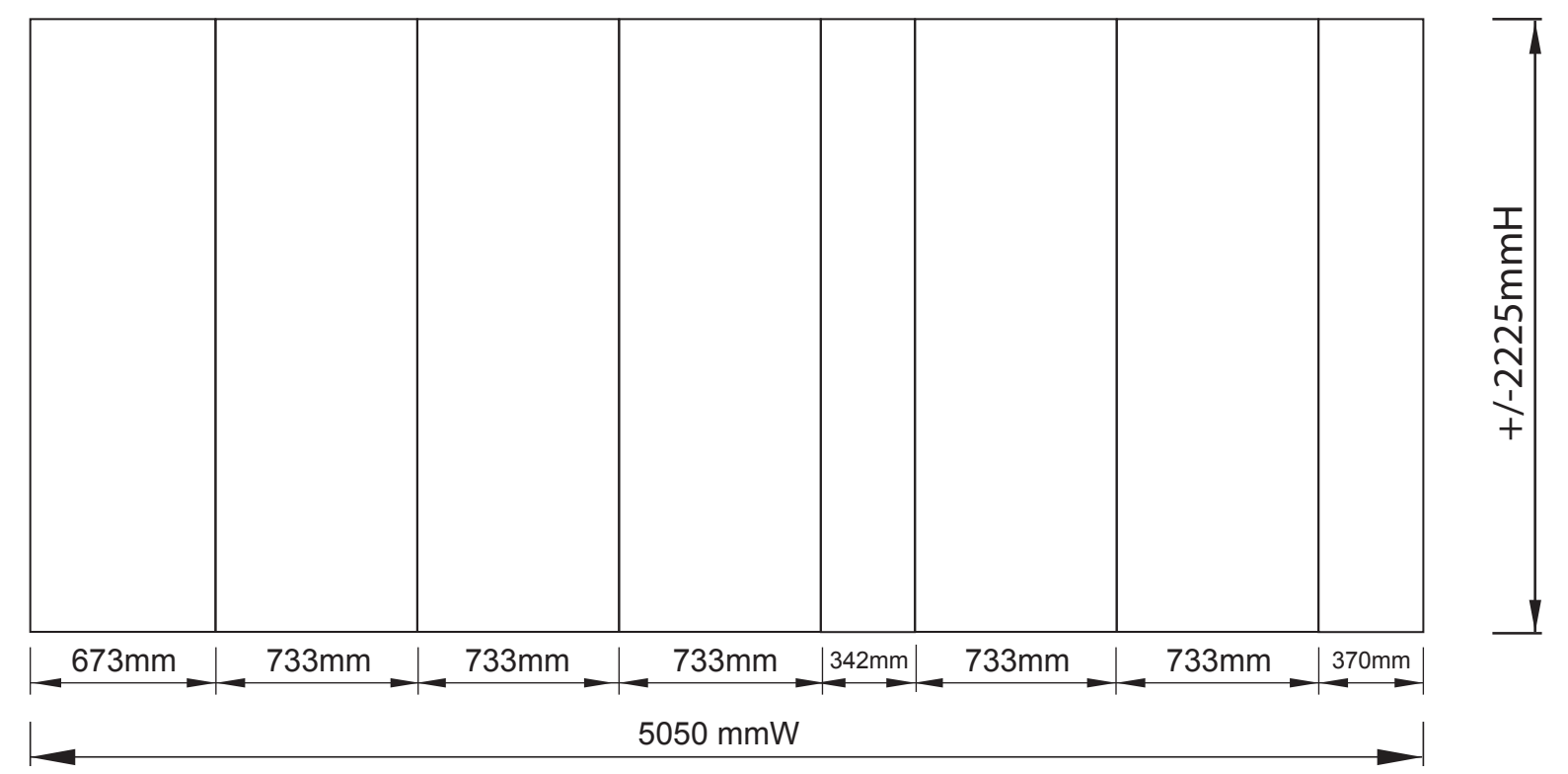
- 1. Please avoid putting small text on the cutting lines.
- 2. Please note the outer half of the side panels will turn to the back after set up and would not be visible when standing in the front
- 3. Please submit the file in the panel size of 4732mmW x 2225mmH

NEO Pop-up Self Build Exhibition Stand 1D

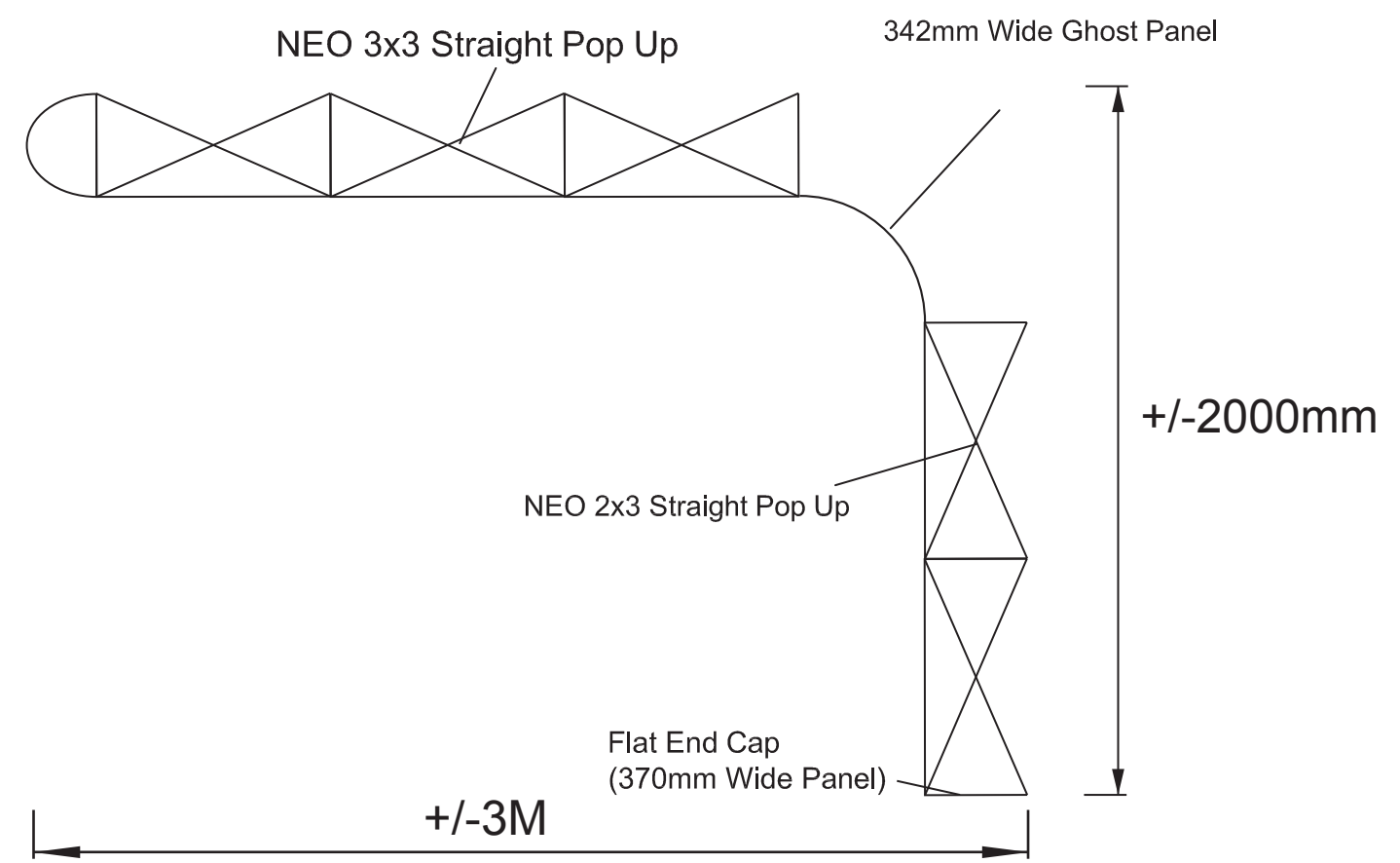
Front View - Stand Size



Panel Size



Top View - Stand Size



Remark:

1. Please avoid putting small text on the cutting lines.
2. Please note the outer half of the side panels will turn to the back after set up and would not be visible when standing in the front
3. Please submit the file in the panel size of 5050mmW x 2225mmH