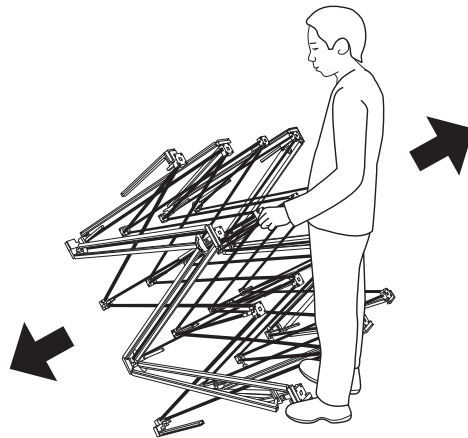


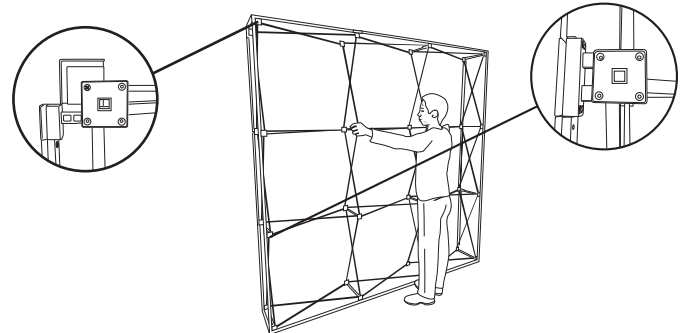
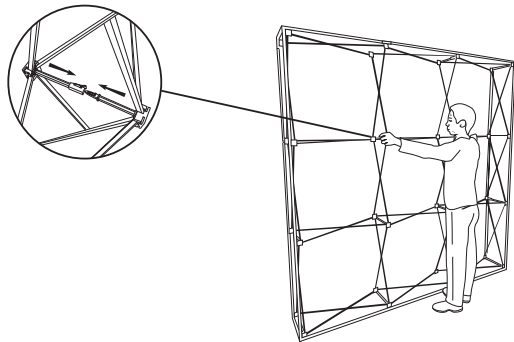
SET UP INSTRUCTION = EDGE POP UP SYSTEM

1. Expand frame into position

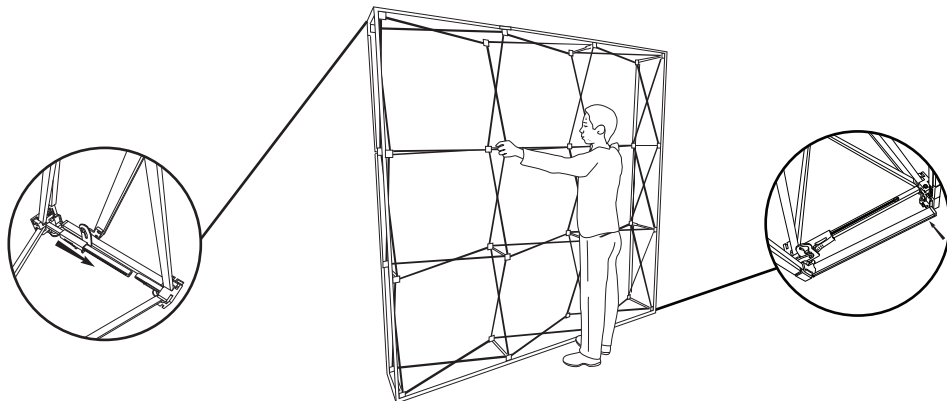


2. Connect the locking arms together

Attach the hinged channel bar sets into the 4 sides of the front perimeter of the frame and also to each of the vertical end caps



3. Locate the upper and lower side channel bars into position (this must be the final part of the frame assembly process, otherwise the vertical channel bars may not lock into position)



4. Fit the SEG graphic into the channel bars

