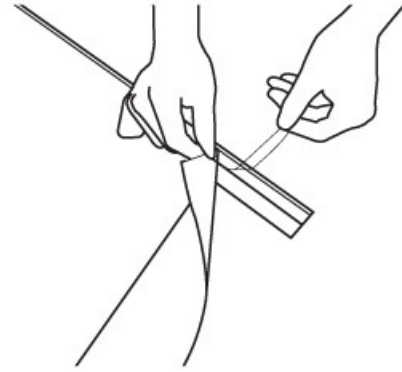
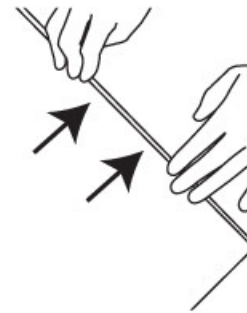


MOUNTING GRAPHIC

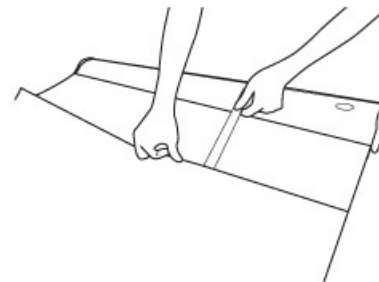
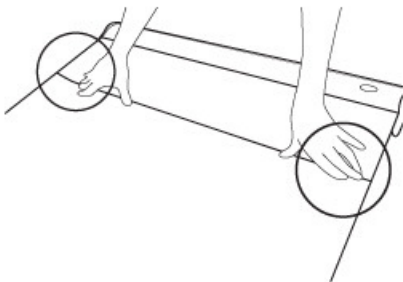
1. Align the graphic with profile, then gently peel off the backing strip of the adhesive.



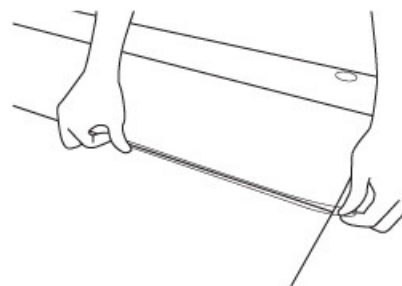
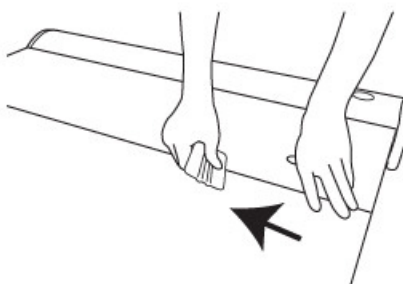
2. Once the backing strip is peeled off, your graphic is now attached to the profile. Press along the profile and make sure the graphic is attached smoothly.



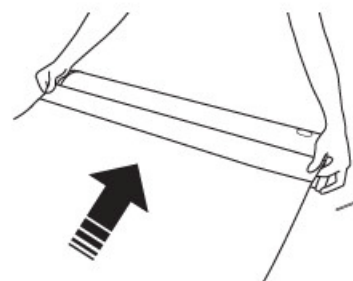
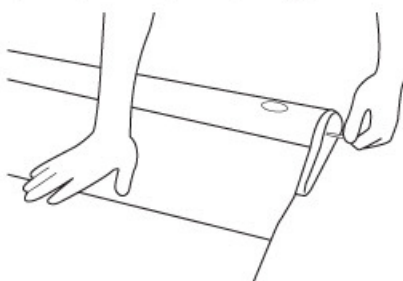
3. Attach the bottom of the graphic by aligning it with the adhesive tape on the white PVC.



4. Press the graphic firmly and apply extra tape for reinforcement.

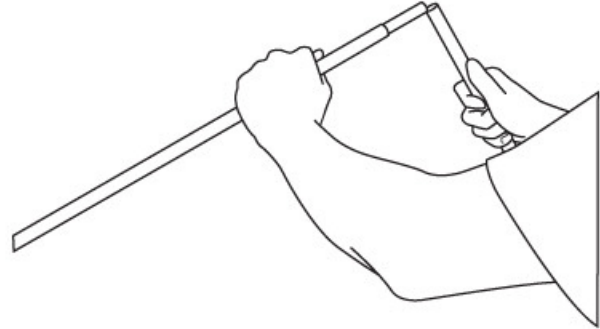
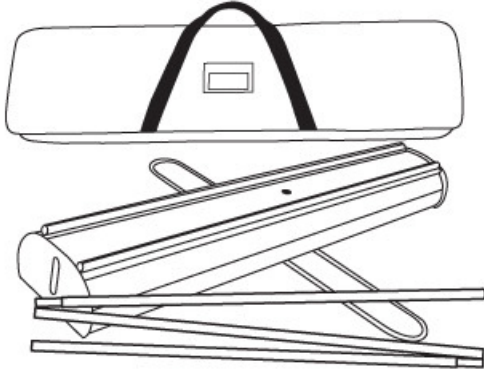


5. Hold the graphic while removing the key. Let the graphic retract into the base slowly.

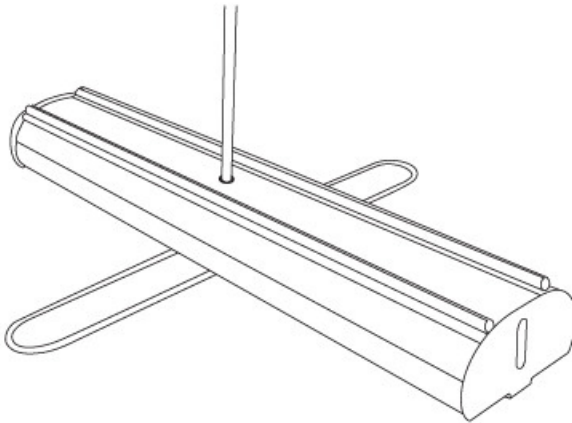


SET UP INSTRUCTION

1. Unfold the 3-parted pole.



2. Insert the pole onto the cup of the base.



3. Pull up one graphic and position the end tip of the pole into the profile.



4. Pull up the second graphic and position the end tip of the pole into the profile.

