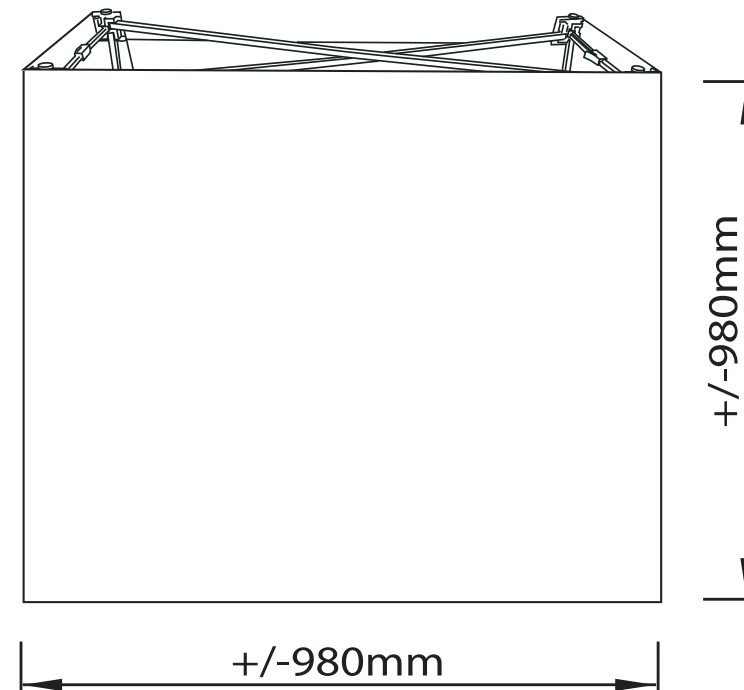
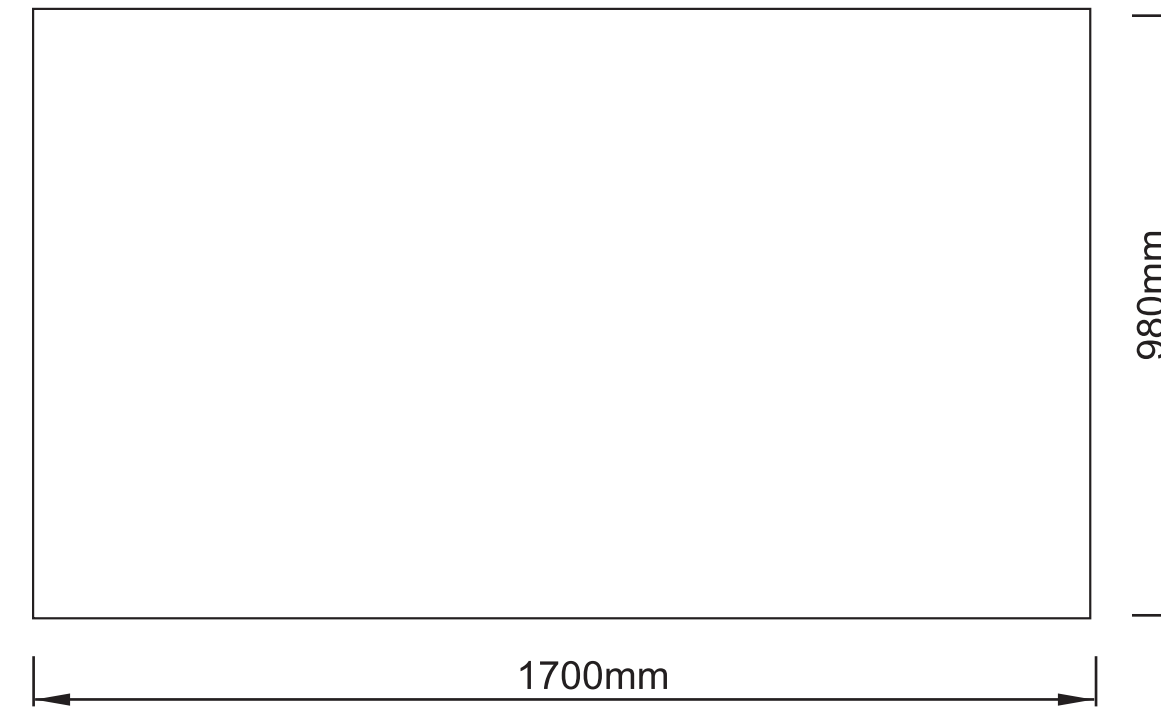


SATELLITE 1 X 1 Straight Counter

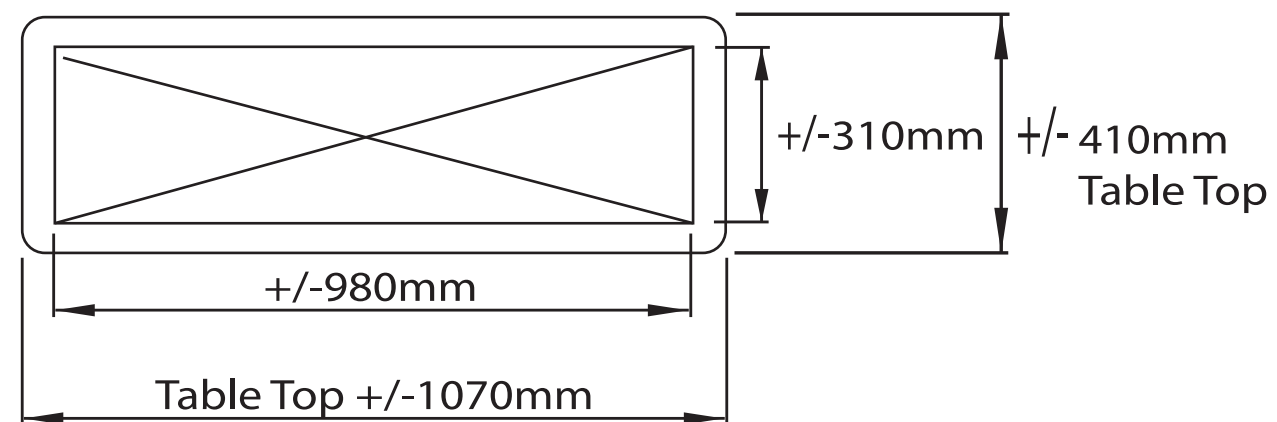
Front View - Stand Size



Panel Size



Top View - Stand Size



Remark:

1. Please avoid putting small text on the cutting lines.
2. Please note the outer half of the side panels will turn to the back after set up and would not be visible when standing in the front
3. Please submit the file in the panel size of $1700\text{mmW} \times 980\text{mmH}$