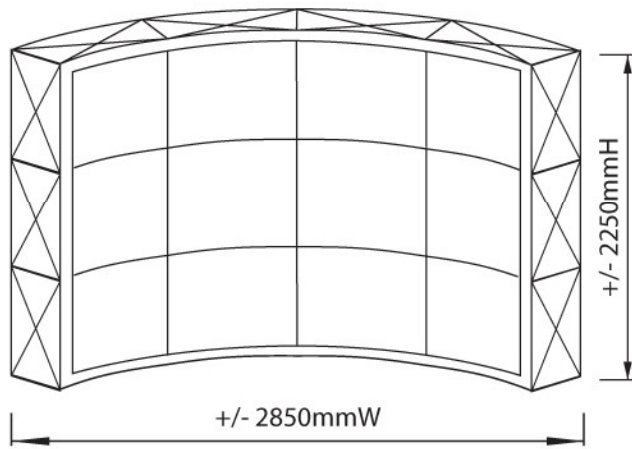
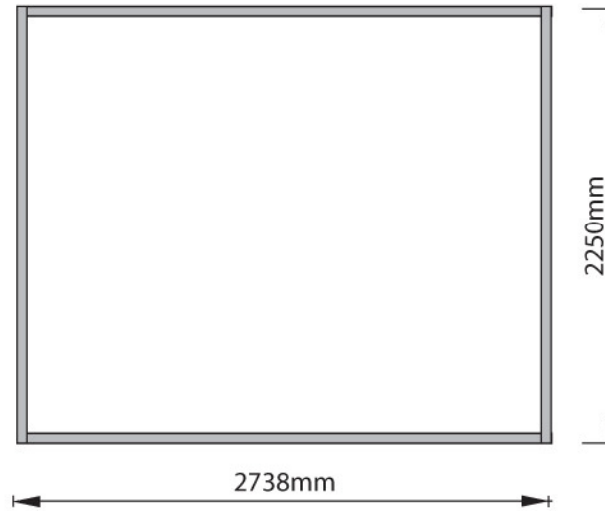


Satellite Tensioned Fabric Pop-up - 4x3 Curved System

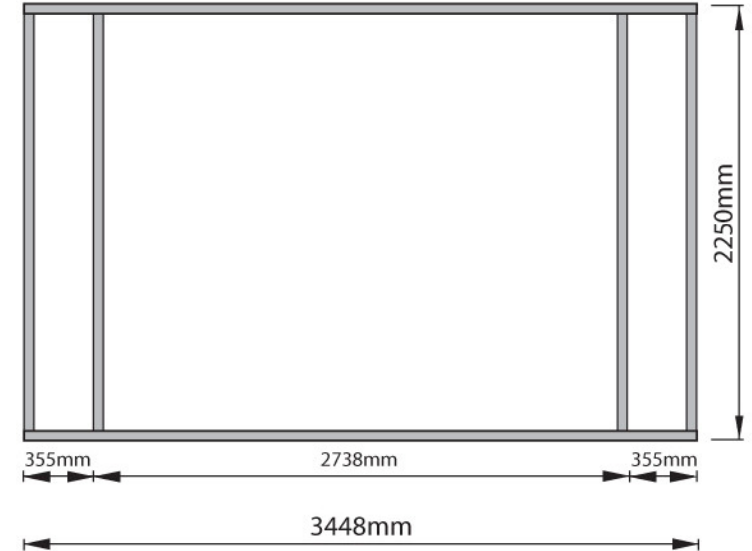
Front View - Stand Size



Graphic Panel Size Without End-cap



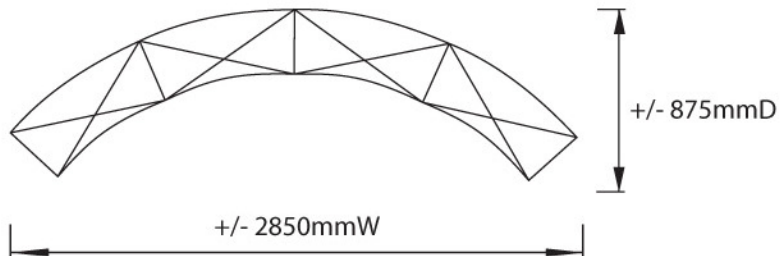
Graphic Panel Size With End-caps



50mm Velcro Strap

50mm Velcro Strap

Top View - Stand Size

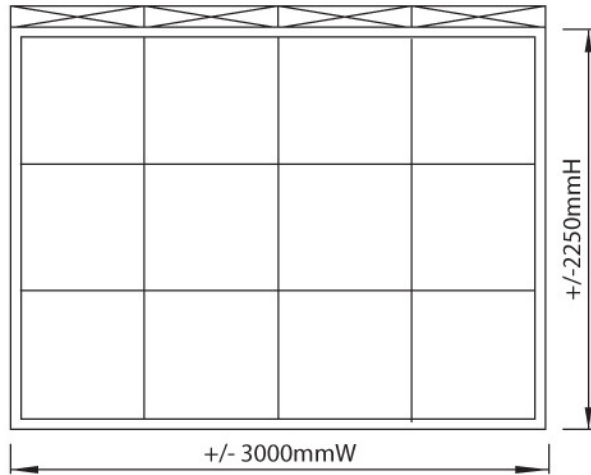


Remarks:

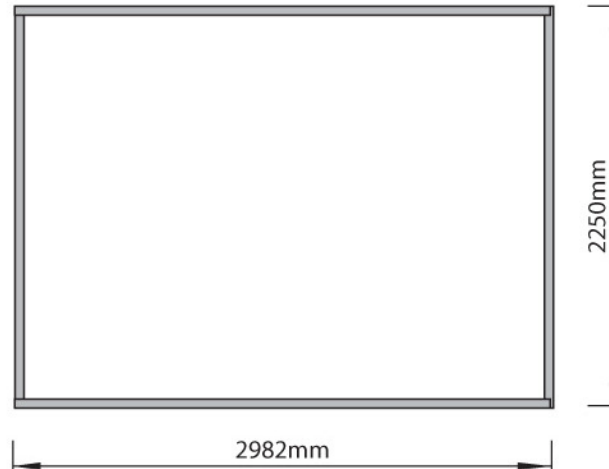
1. Above graphic sizes suggested is the real sizes only.
2. Actual graphic size may vary based on the elasticity of the textile used.
3. For most suitable graphic size, please ensure a elasticity test on your printing material with Satellite is carried.

Satellite Tensioned Fabric Pop-up - 4x3 Straight System

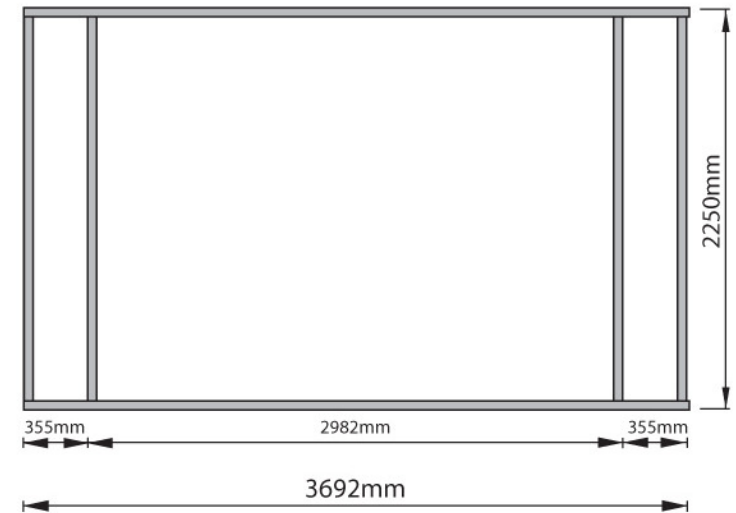
Front View - Stand Size



Graphic Panel Size Without End-cap



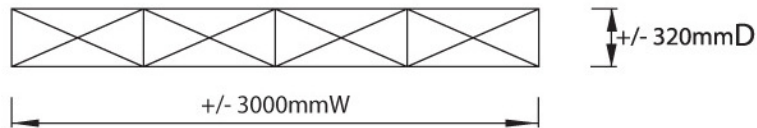
Graphic Panel Size With End-caps



50mm Velcro Strap

50mm Velcro Strap

Top View - Stand Size

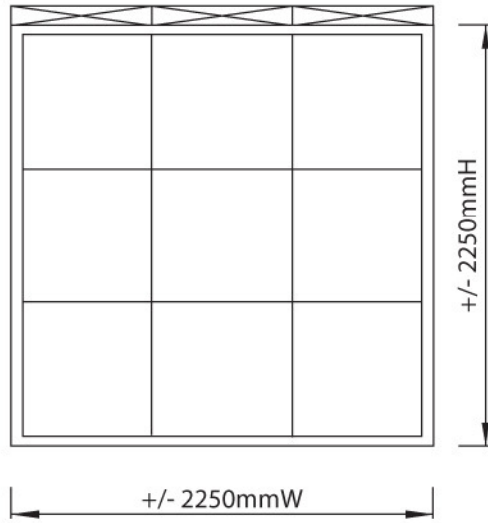


Remarks:

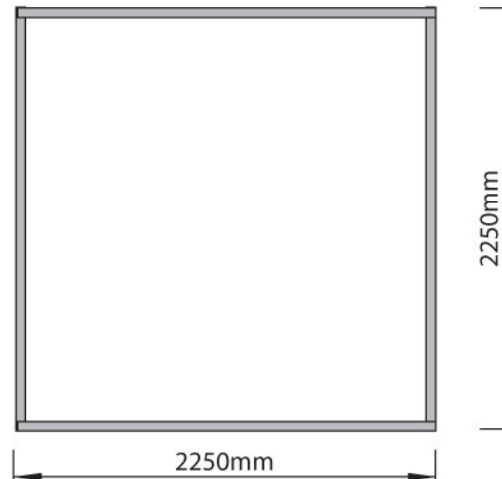
1. Above graphic sizes suggested is the real sizes only.
2. Actual graphic size may vary based on the elasticity of the textile used.
3. For most suitable graphic size, please ensure a elasticity test on your printing material with Satellite is carried.

Satellite Tensioned Fabric Pop-up - 3x3 Straight System

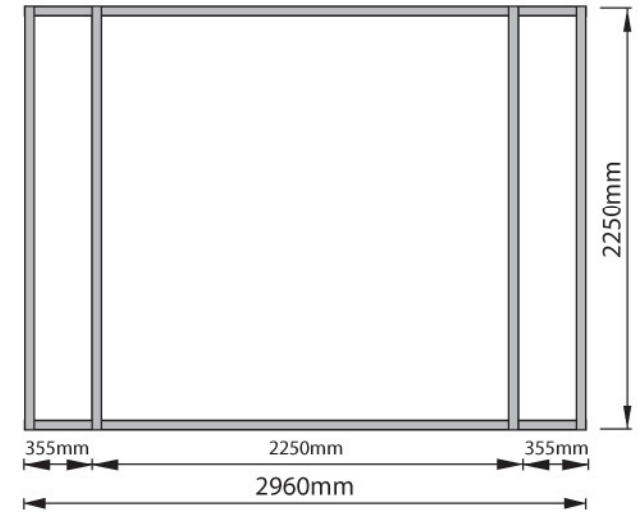
Front View - Stand Size



Graphic Panel Size Without End-cap



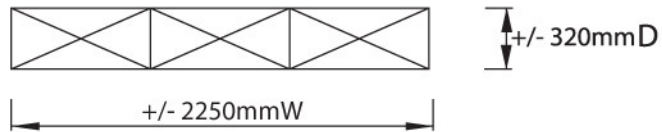
Graphic Panel Size With End-caps



50mm Velcro Strap

50mm Velcro Strap

Top View - Stand Size

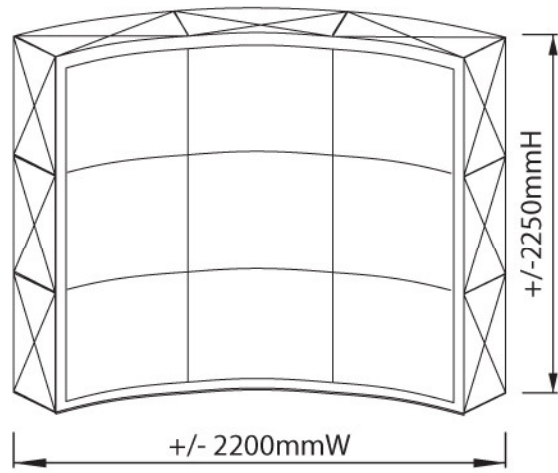


Remarks:

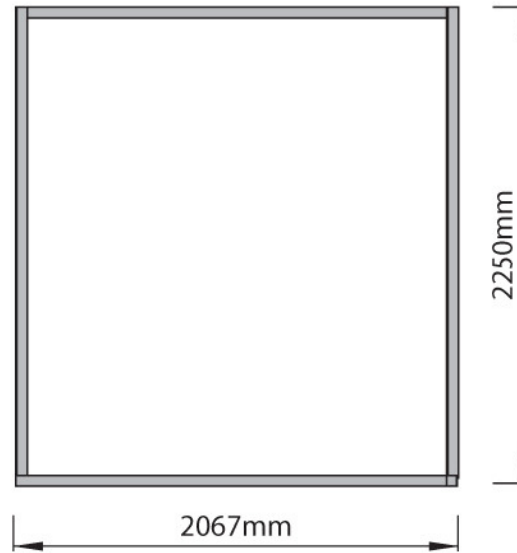
1. Above graphic sizes suggested is the real sizes only.
2. Actual graphic size may vary based on the elasticity of the textile used.
3. For most suitable graphic size, please ensure a elasticity test on your printing material with Satellite is carried.

Satellite Tensioned Fabric Pop-up - 3x3 Curved System

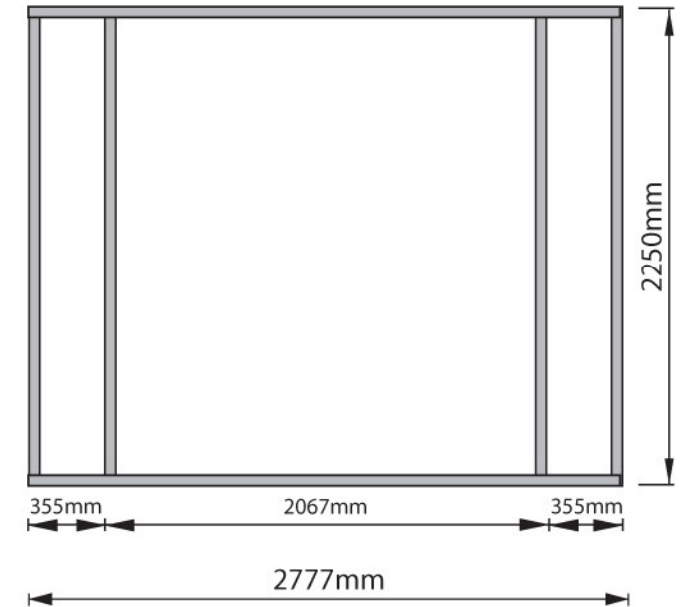
Front View - Stand Size



Graphic Panel Size Without End-cap



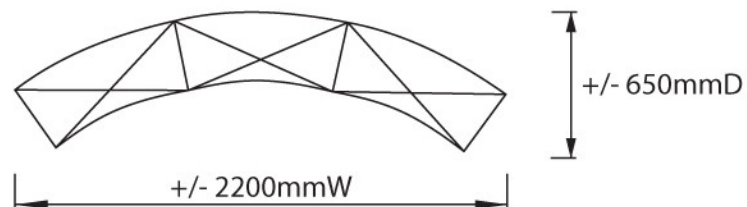
Graphic Panel Size With End-caps



50mm Velcro Strap

50mm Velcro Strap

Top View - Stand Size



Remarks:

1. Above graphic sizes suggested is the real sizes only.
2. Actual graphic size may vary based on the elasticity of the textile used.
3. For most suitable graphic size, please ensure a elasticity test on your printing material with Satellite is carried.