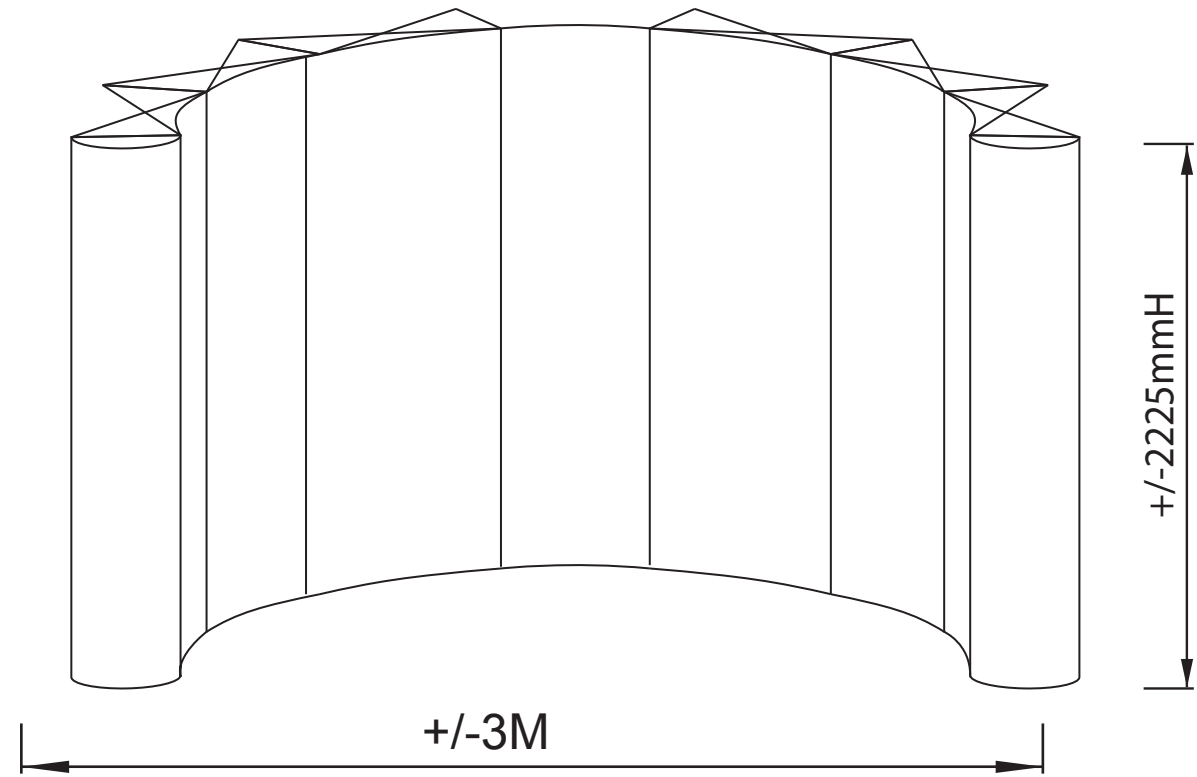
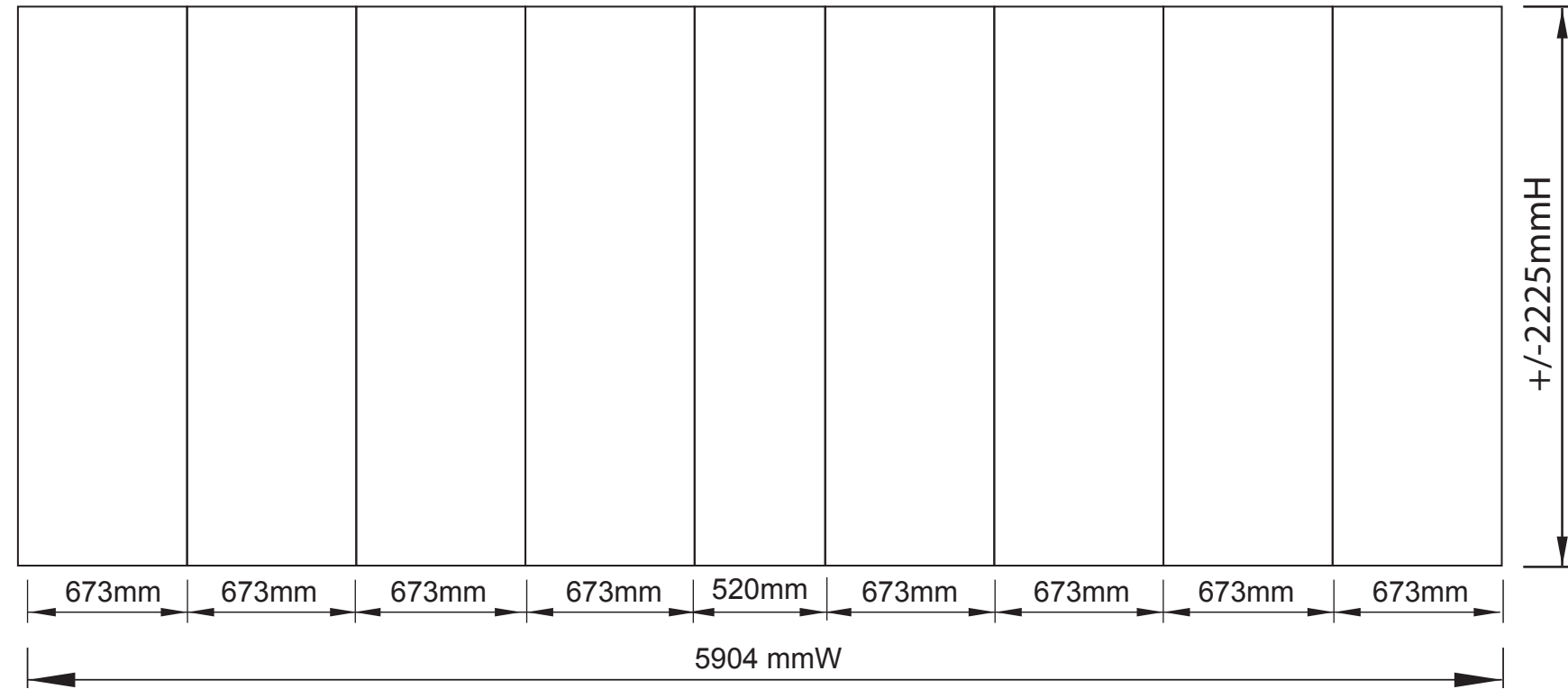


NEO Pop-up Self Build Exhibition Stand 2A

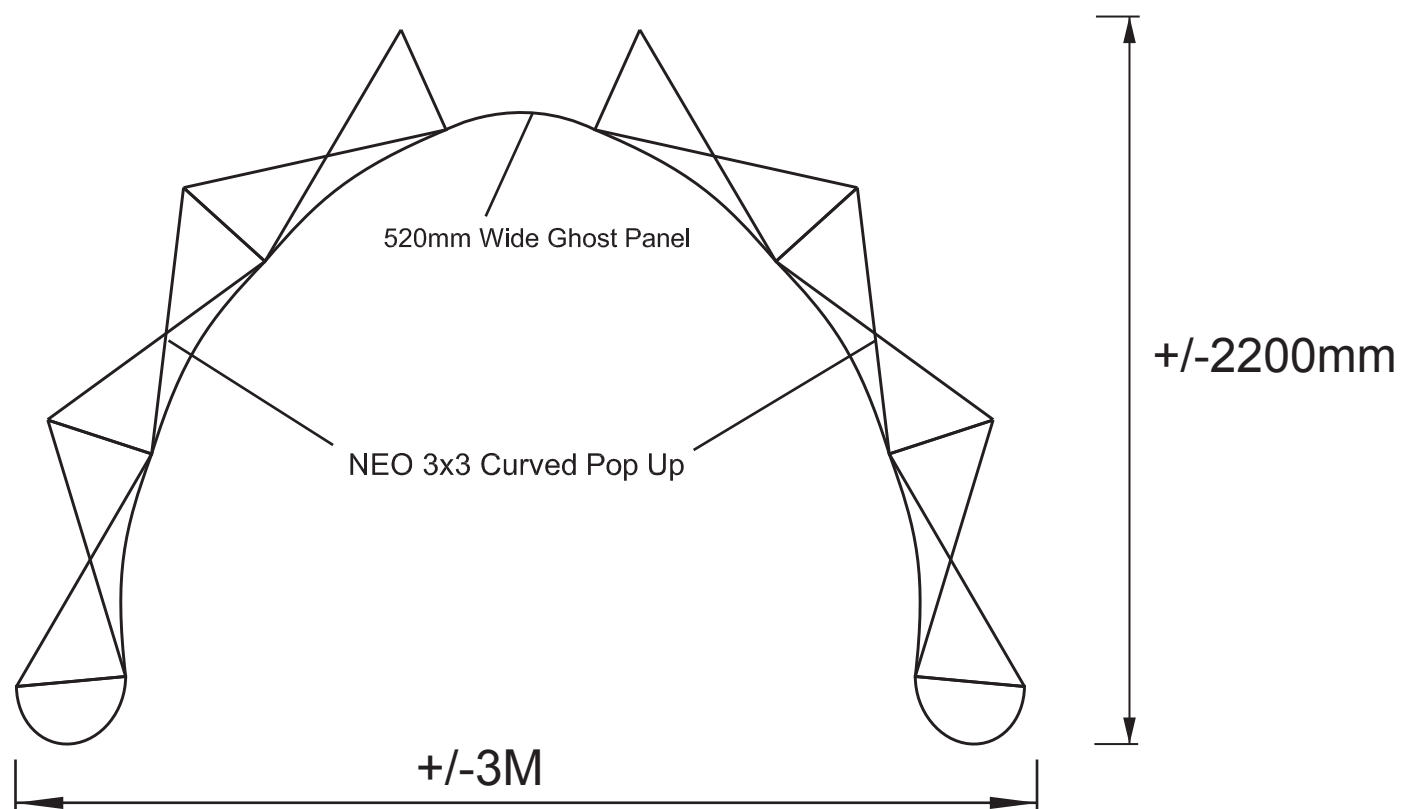
Front View - Stand Size



Panel Size



Top View - Stand Size

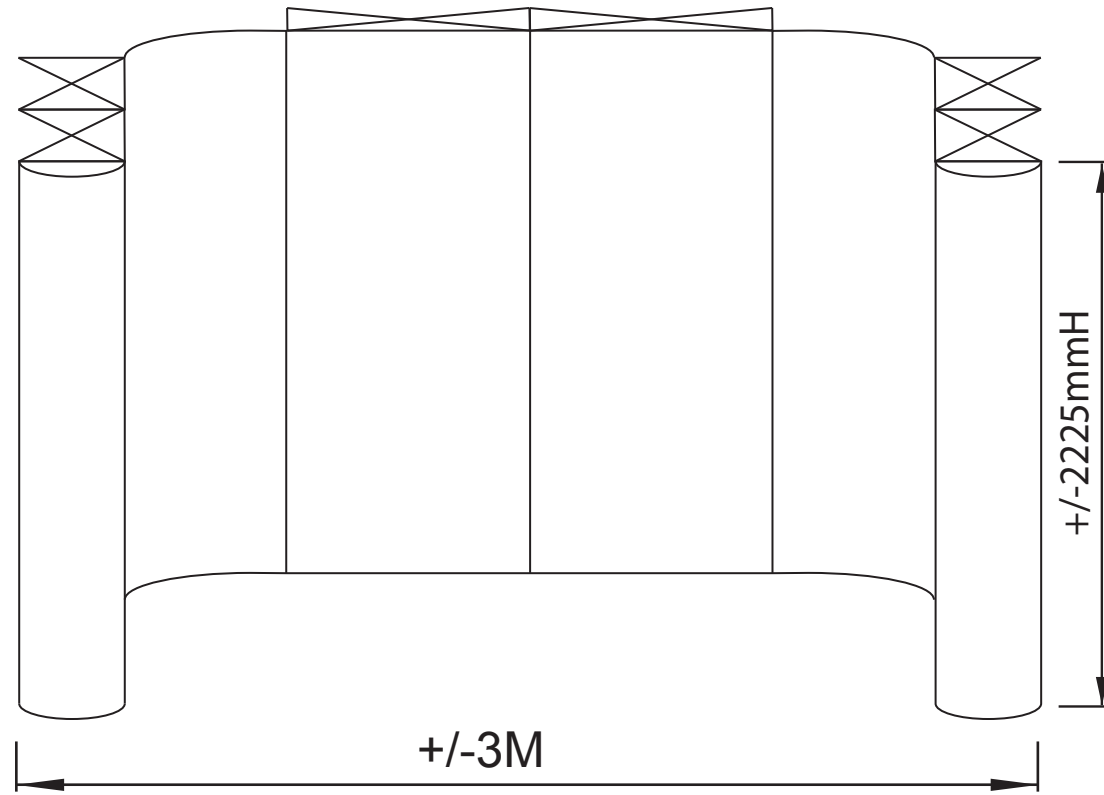


Remark:

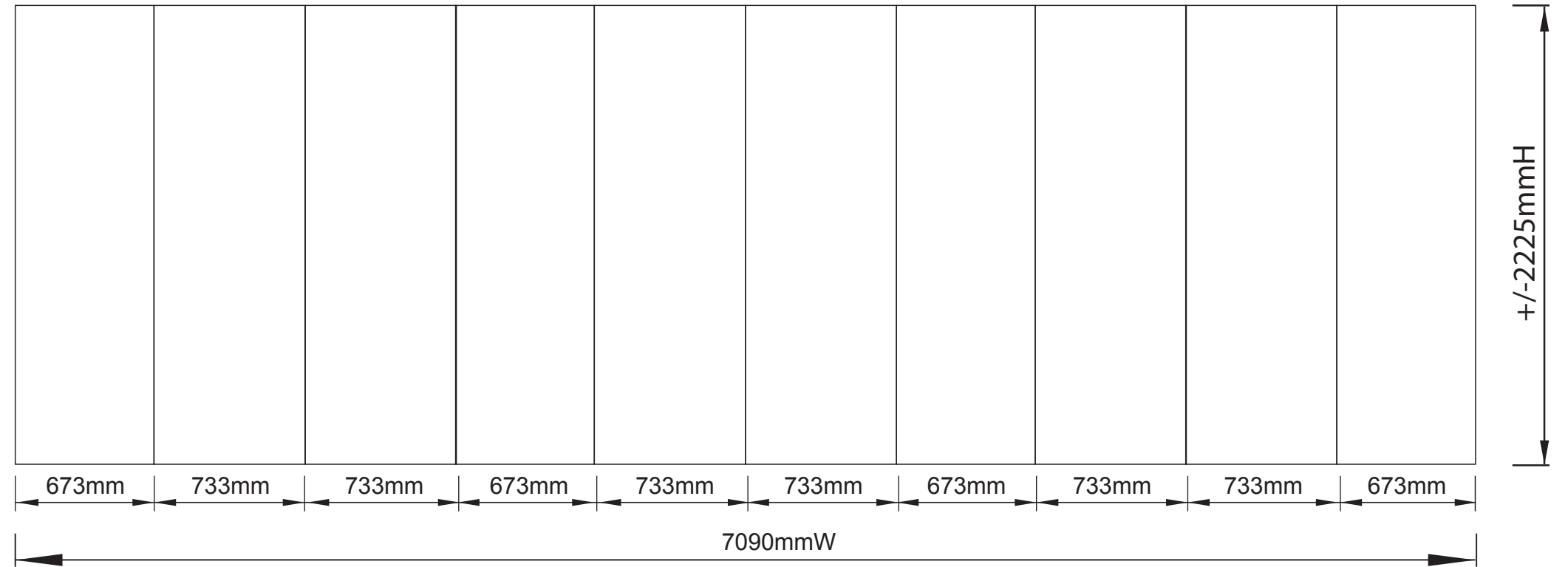
1. Please avoid putting small text on the cutting lines.
2. Please note the outer half of the side panels will turn to the back after set up and would not be visible when standing in the front
3. Please submit the file in the panel size of 5904mmW x 2225mmH

NEO Pop-up Self Build Exhibition Stand 2B

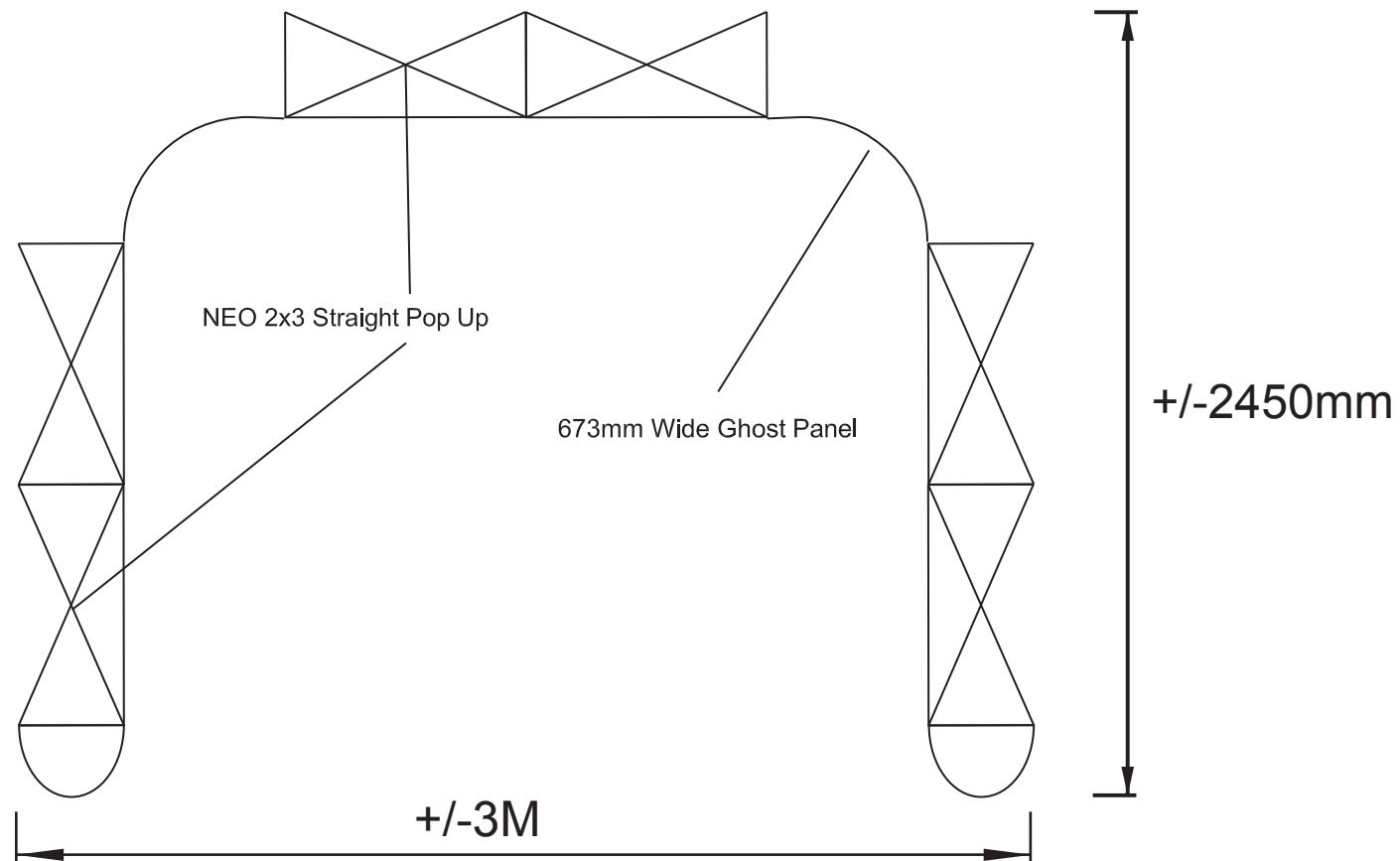
Front View - Stand Size



Panel Size



Top View - Stand Size

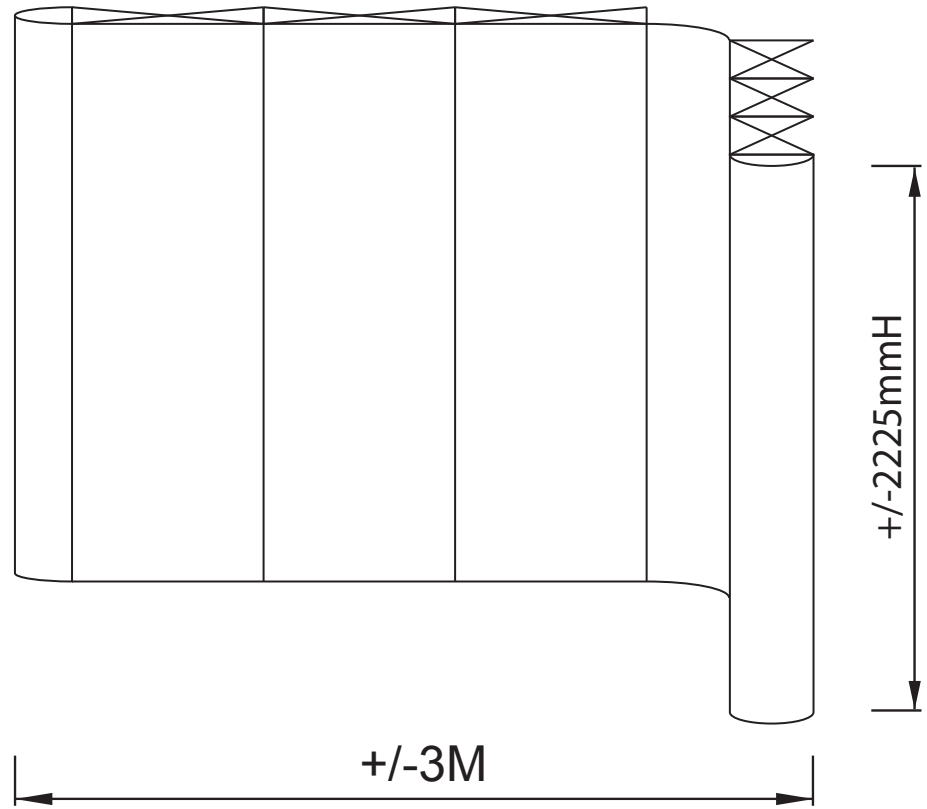


Remark:

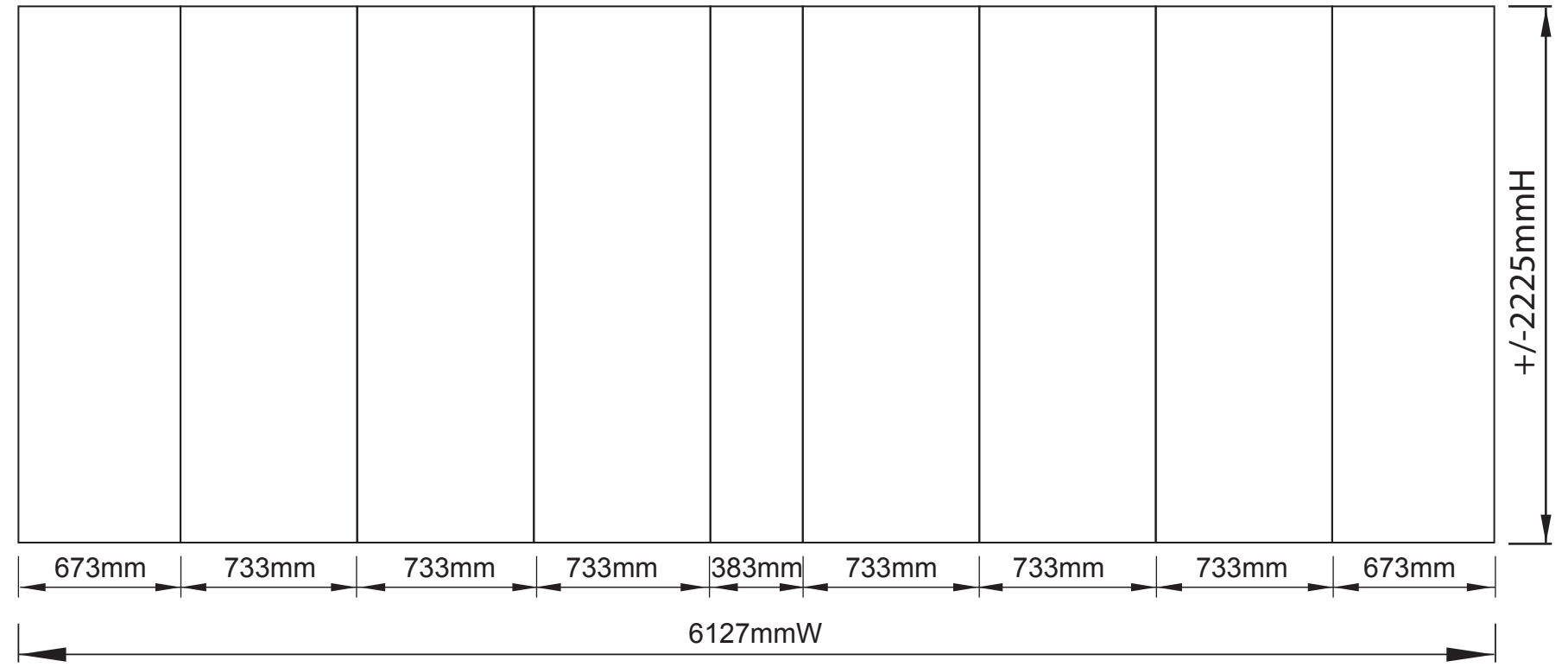
1. Please avoid putting small text on the cutting lines.
2. Please note the outer half of the side panels will turn to the back after set up and would not be visible when standing in the front
3. Please submit the file in the panel size of $7090mmW \times 2225mmH$

NEO Pop-up Self Build Exhibition Stand 2C

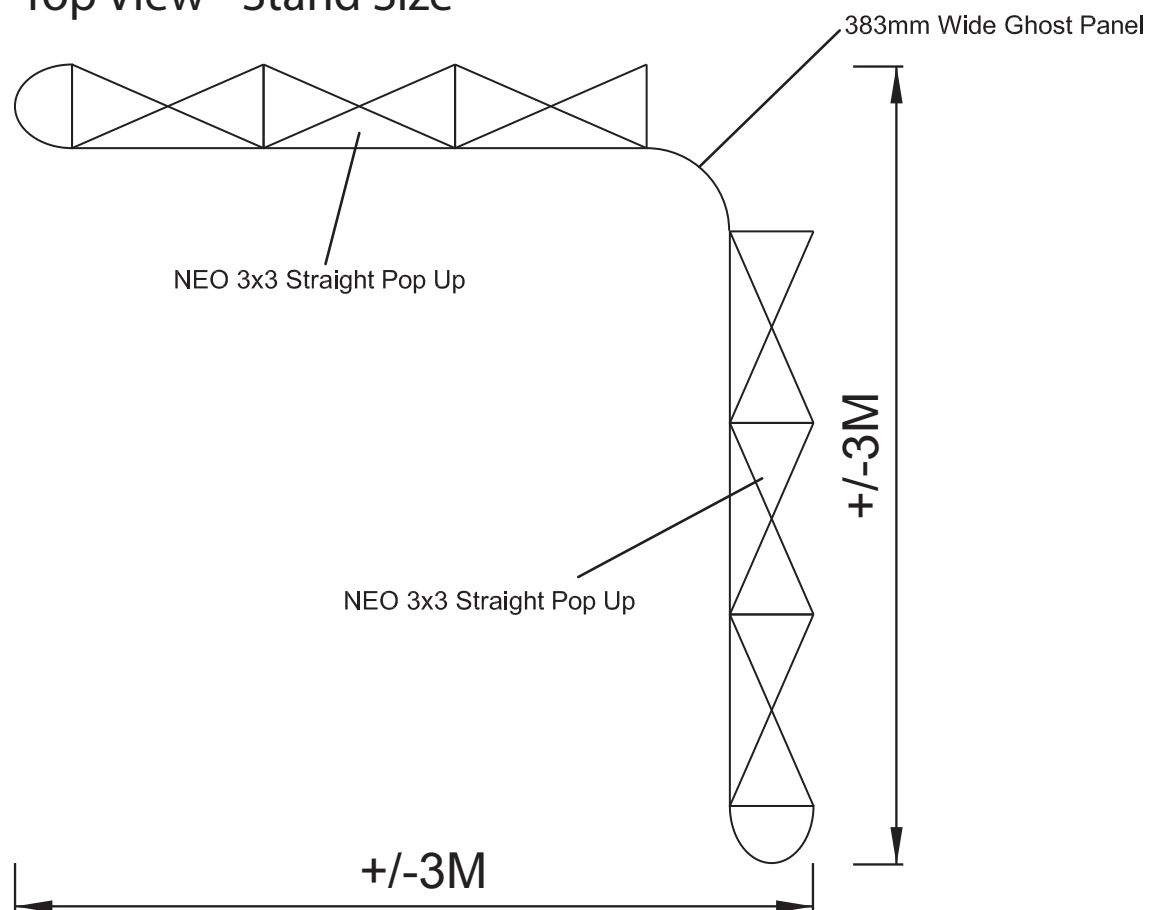
Front View - Stand Size



Panel Size



Top View - Stand Size

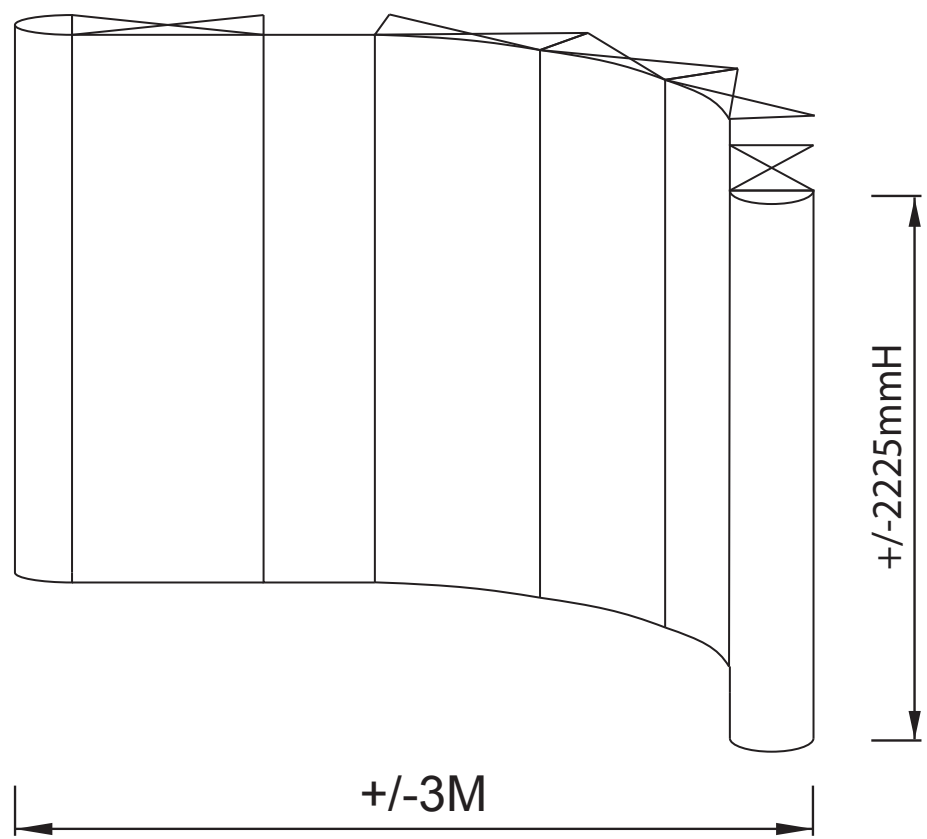


Remark:

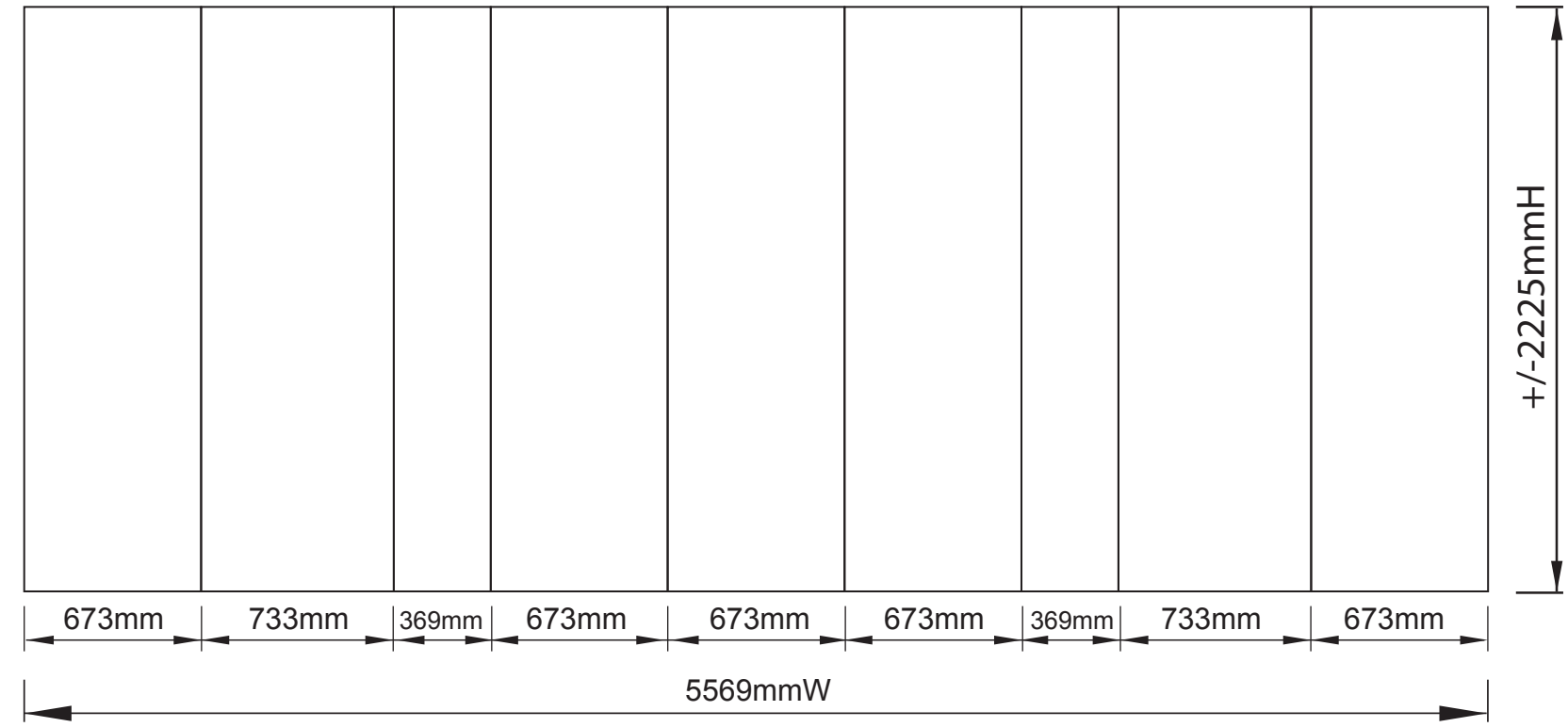
1. Please avoid putting small text on the cutting lines.
2. Please note the outer half of the side panels will turn to the back after set up and would not be visible when standing in the front
3. Please submit the file in the panel size of $6127mmW \times 2225mmH$

NEO Pop-up Self Build Exhibition Stand 2D

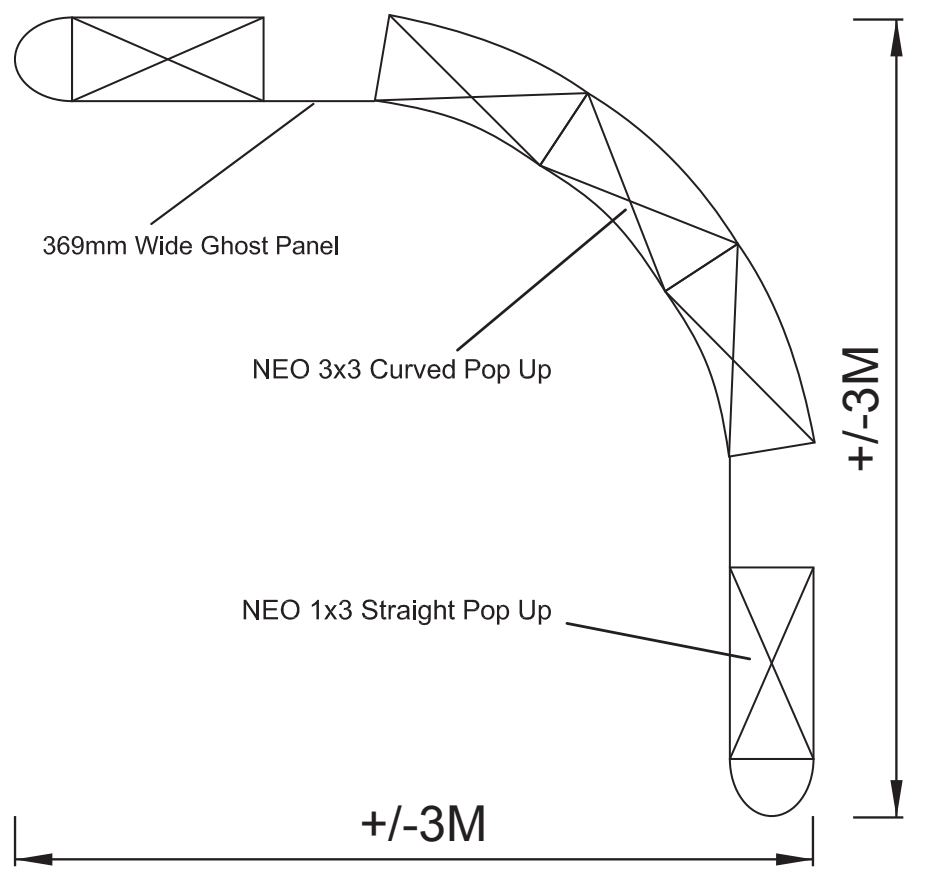
Front View - Stand Size



Panel Size



Top View - Stand Size



Remark:

1. Please avoid putting small text on the cutting lines.
2. Please note the outer half of the side panels will turn to the back after set up and would not be visible when standing in the front
3. Please submit the file in the panel size of 5569mmW x 2225mmH