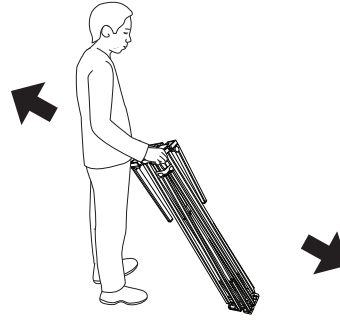
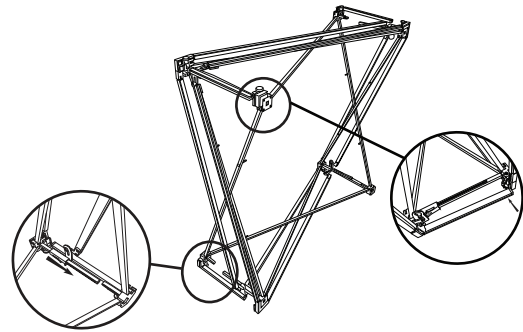


SET UP INSTRUCTION = EDGE 1x1 Counter

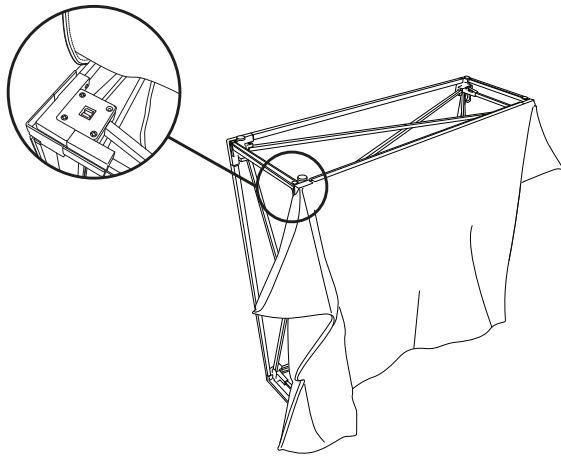
1. Expand the frame into position



2. Connect the 4 locking arms together, then slide and lock the vertical channel bar sets into position



3. Locate the silicone edging strip on the fabric graphic, into the slots in the channel bars



4. Place the wooden counter top and internal shelf into position

