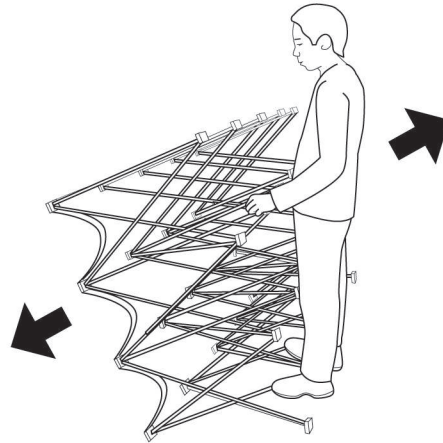


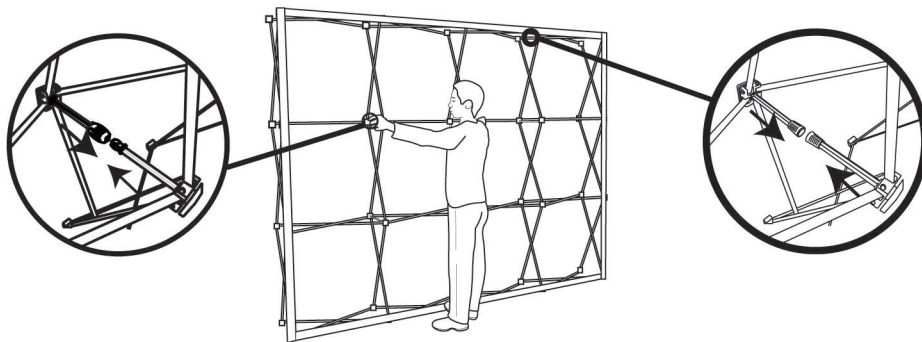
SET UP INSTRUCTION

P.1

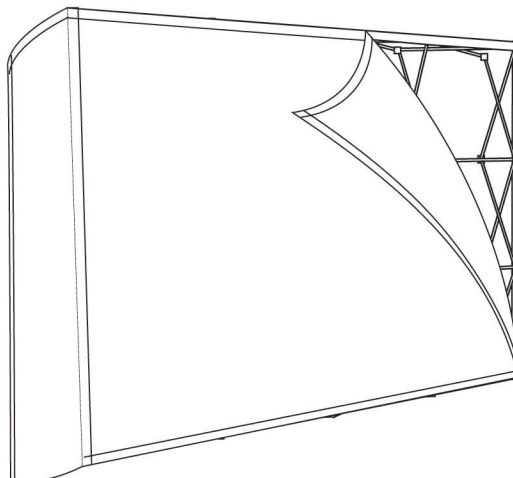
1. Expand the frame at the location needed.



2. Ensure all the yellow coloured mechanical locks are securely clicked in. Then, double check to make sure the magnetic locks are all locked into place.



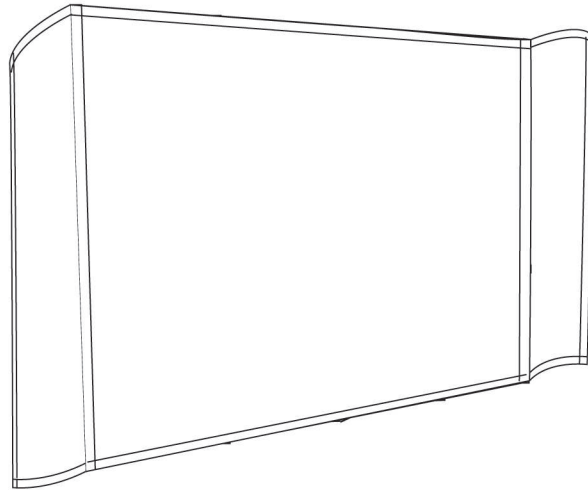
3. Align the graphic to the Velcro frame before attachment. Once the graphic is smoothly attached, wrap the end caps and attach it to the Velcro ready rear hubs.



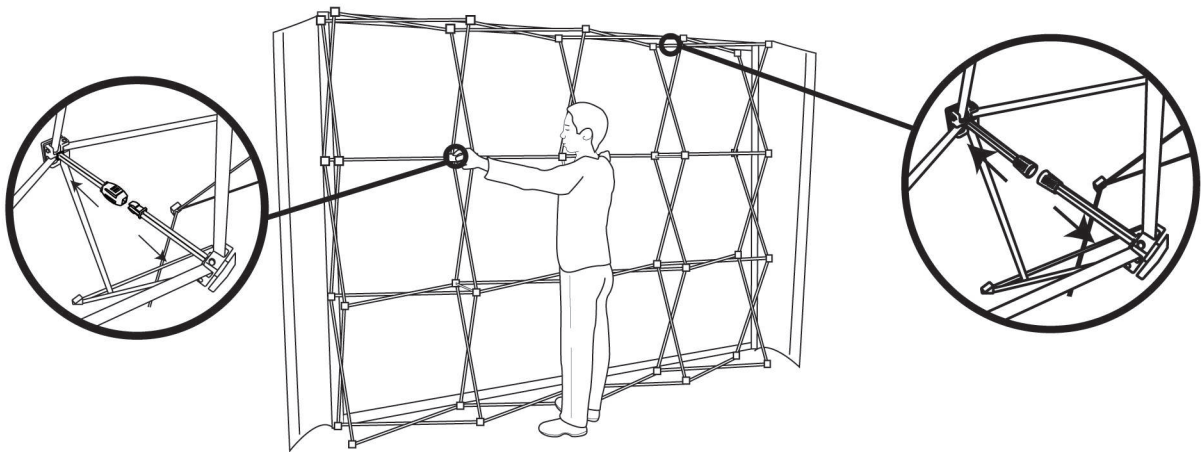
SET UP INSTRUCTION

P.2

4. To put away Satellite, firstly, remove both end caps from the rear hubs.



5. Unlock all the yellow mechanical locks and when collapsing the frame, the magnetic locks will unlock by themselves.



6. Pull out graphic in between the gaps from collapsed frame. So the frame can be more compact for easy handling.

